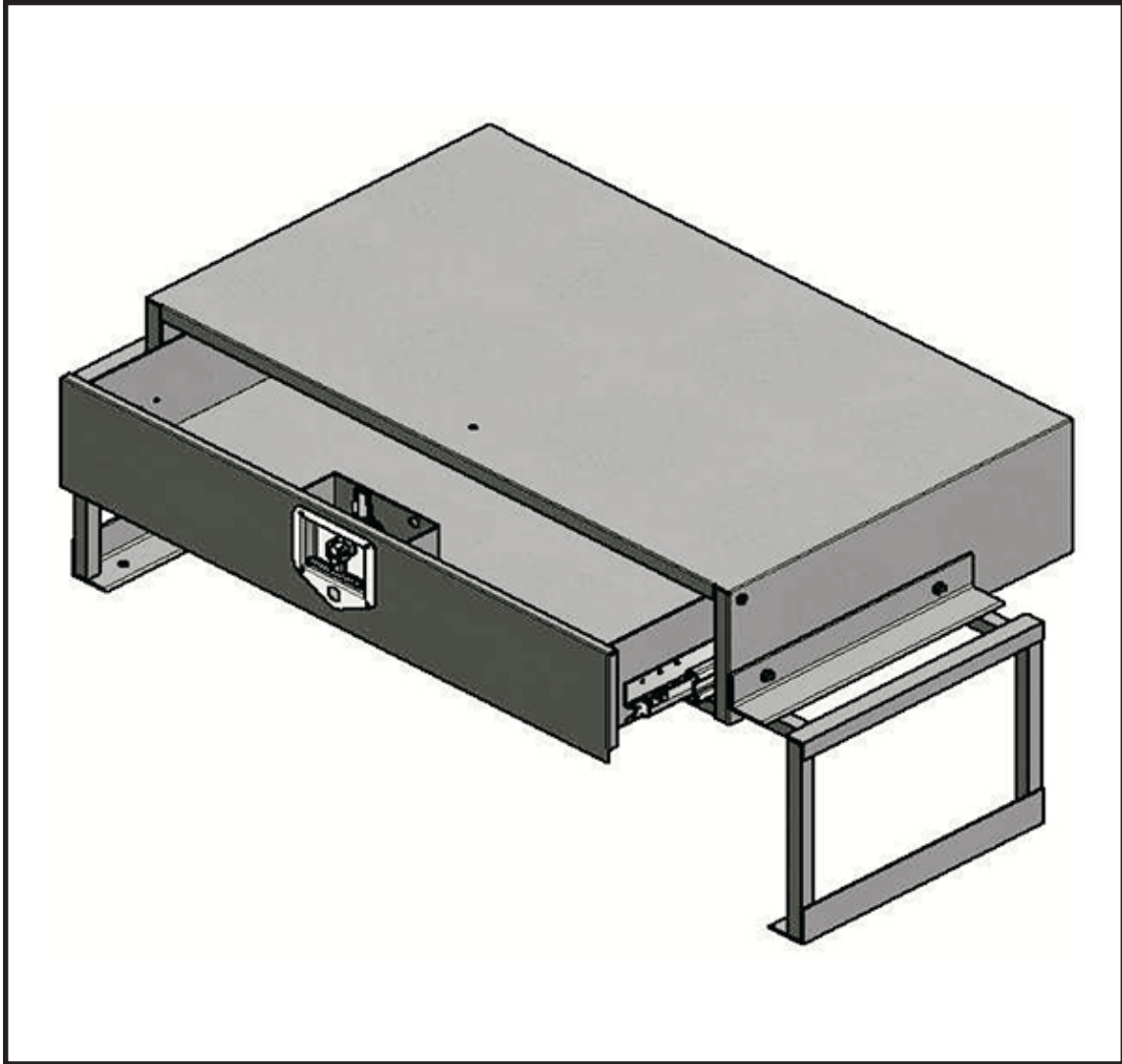


TUFLOC

INSTALLATION INSTRUCTIONS

Chevrolet Caprice TufBox



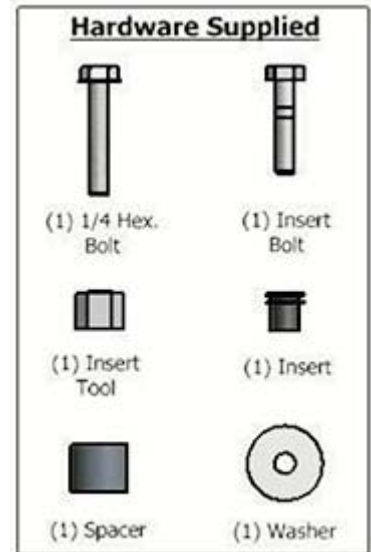
Warranty

Thank you for purchasing the TufBox manufactured by TUFLOC. We have worked hard to develop the best storage box on the market and warrant this product for one year from date of purchase against defects in materials and workmanship. This warranty is limited to replacement or repair of the product only. No other warranties are expressed or implied. Please contact the factory for warranty claims before returning any product.

Prepare Trunk

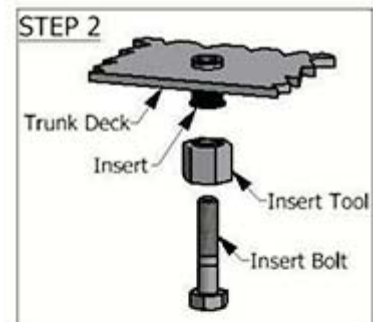
Step 1

- Use Caution when drilling **DO NOT** drill through more than one surface.
- Locate the cable harness clip in the middle of the trunk deck, just behind the rubber trunk lid gasket. Remove the plastic clip and ream out the existing hole using a $25/64$ " diameter drill bit.



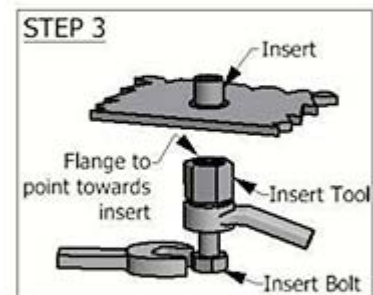
Step 2

- Place the Insert Bolt through the Insert Tool and thread bolt onto Insert. Make sure that the flange of the Insert Tool is pointing towards the Insert.



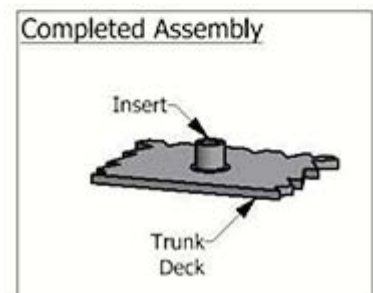
Step 3

- With the Insert placed inside of the $25/64$ " diameter hole, begin tightening with two opened-ended wrenches. One wrench will be placed around the Insert Tool and the other wrench will be placed on the Insert Bolt. The Insert Bolt will need to be tightened until the Insert has fully expanded.



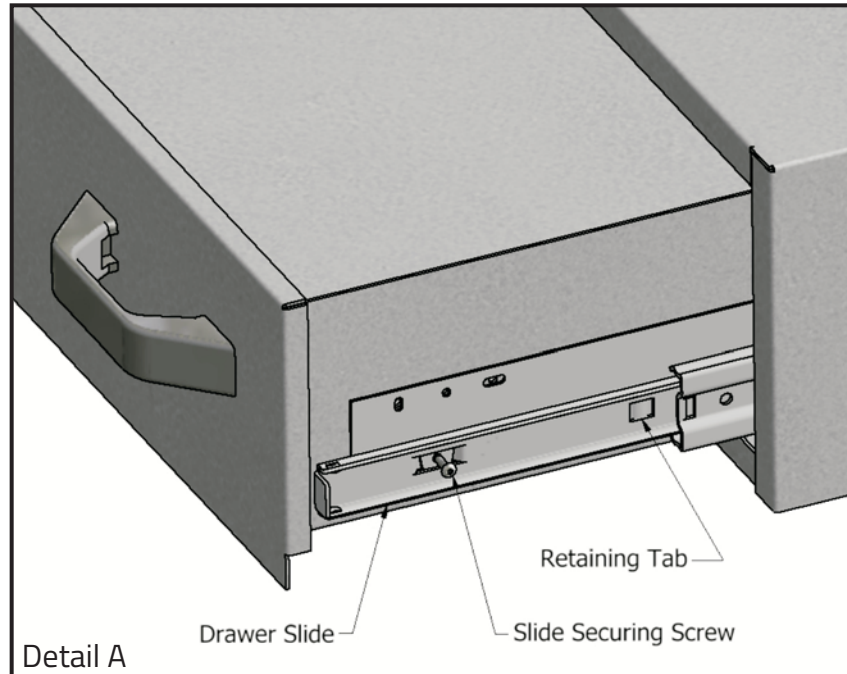
Completed Assembly

- Once expanded unscrew Insert Bolt from Insert.

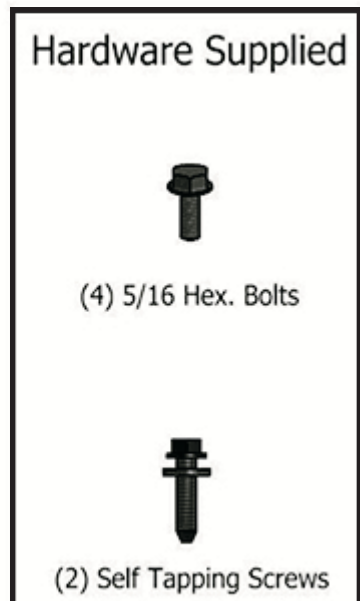
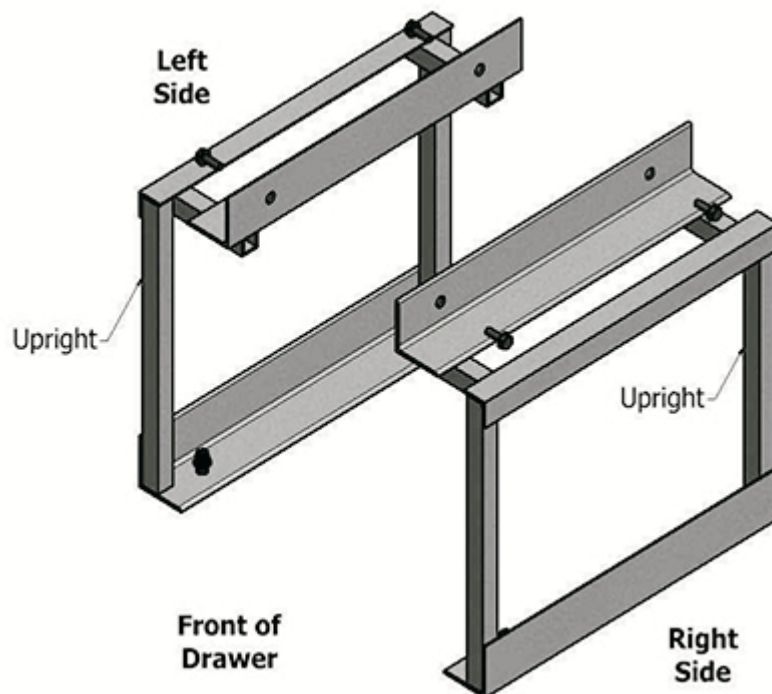


Prior to Installation

- Remove the drawer from the cabinet by removing the Slide Securing Screws located on each side of the drawer. Next, while pressing in on the Retaining Tabs located on the sides of the drawer, lift up on the front of the drawer, removing it from the tabs and pull it away from the cabinet. (See detail below)
- It may be necessary to remove contents that are stored in or around the mounting footprint of the TufBox as these components may not be accessible after installation.

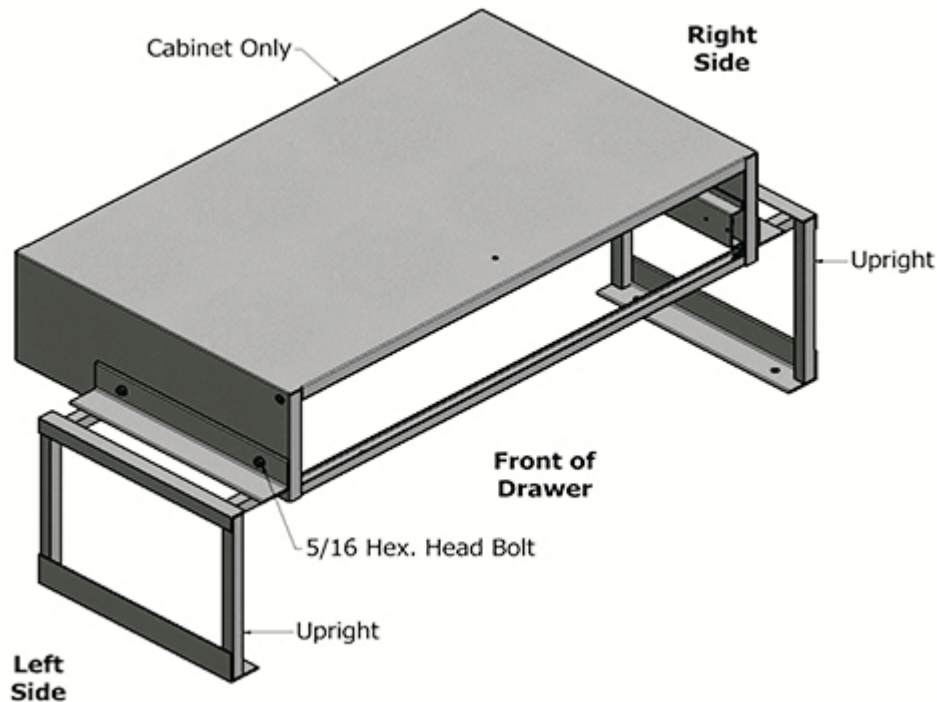


Basic Kit Components



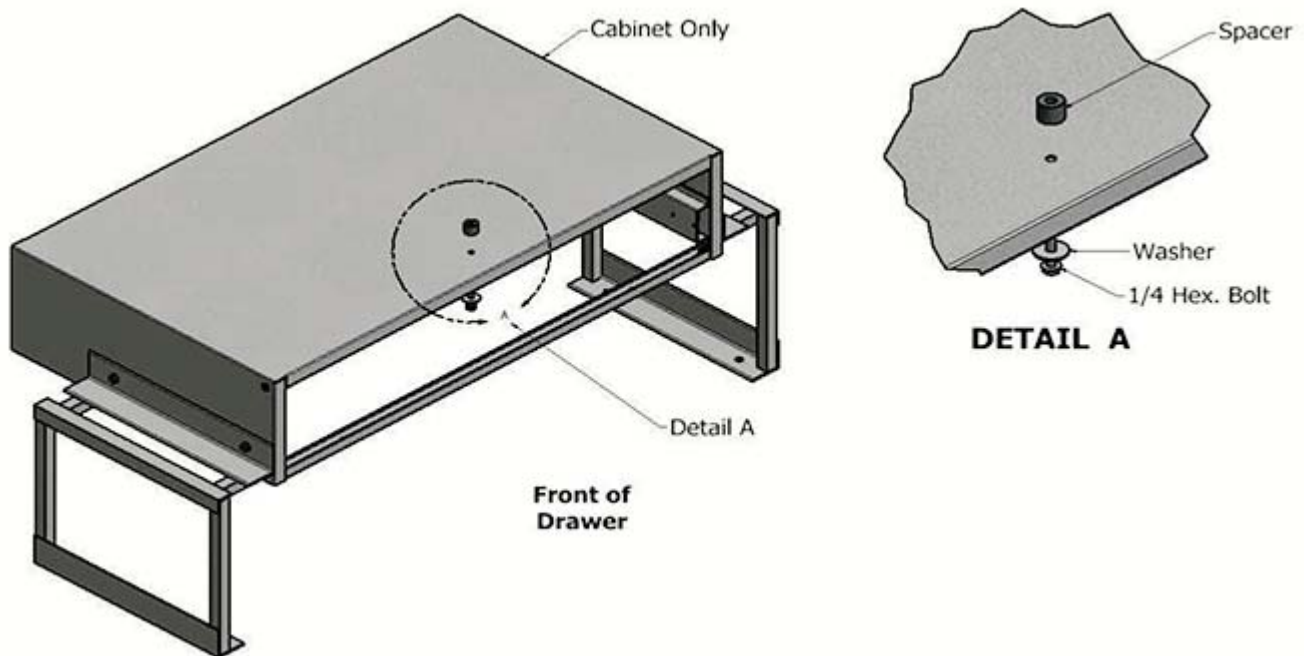
Secure the Uprights to the TufBox

- Using two Hex Head Bolts on each side, mount the right and left uprights to the TufBox (See diagram below). Slide this assembly all the way to the back of the trunk.



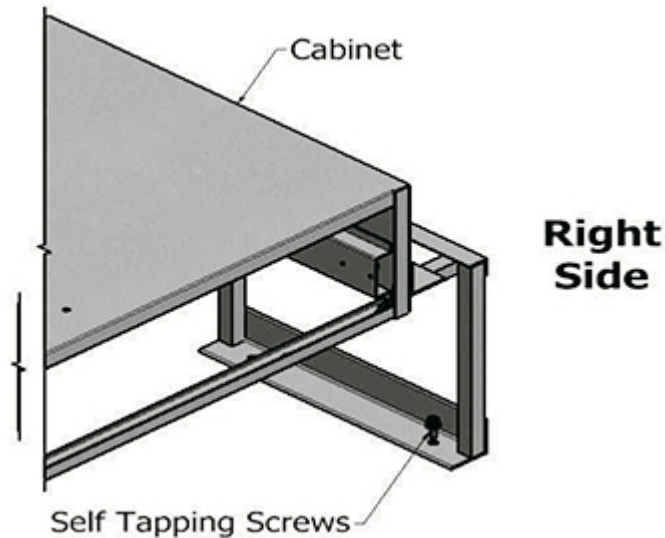
Secure the TufBox to Vehicle

- Position the cabinet assembly in line with the Insert that was installed in the trunk deck in Steps 1-3. Place the spacer on top of the cabinet and from inside the cabinet, insert the washer and Hex Bolt through the Insert and tighten (See Detail below).



Secure the TufBox to Floor

- Locate the holes on the bottom of the uprights and use the holes closest to the front of the trunk compartment, nearest to the brake lights to mount the self-tapping screws to the trunk floor. **Because of the gas tank location, wiring, hoses, etc, it is recommended that there be no additional drilling in the mounting zones.** (See diagram below.)



Place Drawer into the Cabinet

Place the drawer back into the cabinet by extending the drawer slides and snapping the rails on the Retaining Tabs. You may need an assistant to help align the tabs over the drawer slides. Install the Slide Securing Screws on each side of the Drawer. (See Detail A on Page 3)

Make Sure the Drawer Functions Properly

Open & close the cabinet drawer to make the sure the drawer is firmly attached to the slides. If the drawer is not firmly attached, remove the drawer, bend the silver tabs outward and replace the drawer.

Maintenance

- These drawers are intended to hold a maximum weight of 200 lbs. Do not exceed the drawer weight limit. Exceeding the weight limit can make the drawer difficult to operate and can shorten the life of the bearings in the drawer slides.
- The TufBox is designed to provide years of reliable service with minimal maintenance. Occasionally, coat the key with a light petroleum-based lubricant such as WD-40 and insert the key into the lock & turn a few times to lubricate the lock cylinder. NEVER use a graphite based oil. The drawer slides should also be lubricated periodically to assure longer life.
- Standard T-Handle: An adjustable cam can be adjusted to keep the drawer tight and eliminate rattle. (See diagrams below)
- Premium T-Handle: An adjustable roller can be adjusted to keep the drawer tight and eliminate rattle. (See diagrams at left). The Premium T-Handle has the ability for additional security to have a padlock added to the handle (Supplied by others).
- Combination Lock: Please refer to enclosed instruction booklet.

