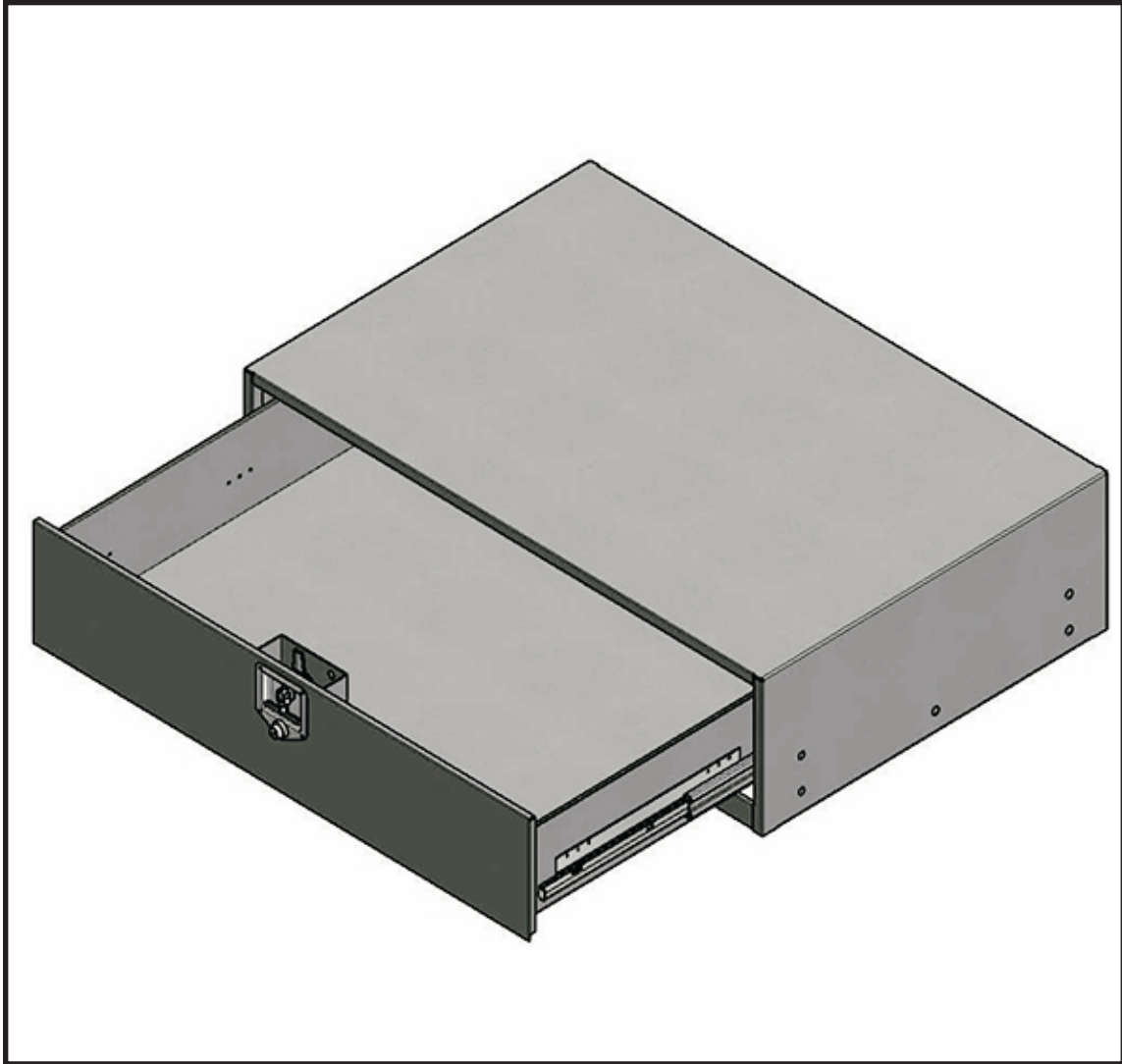


TUFLOC

INSTALLATION INSTRUCTIONS

Crown Victoria TufBox

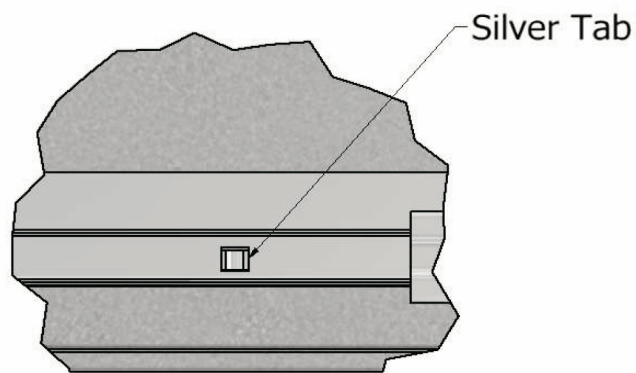
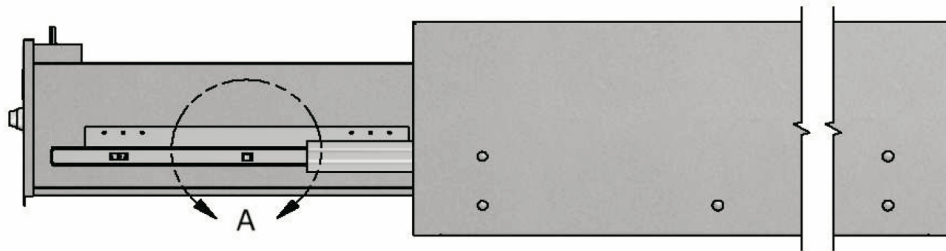


Warranty

Thank you for purchasing the TufBox manufactured by TUFLOC. We have worked hard to develop the best storage box on the market and warrant this product for one year from date of purchase against defects in materials and workmanship. This warranty is limited to replacement or repair of the product only. No other warranties are expressed or implied. Please contact the factory for warranty claims before returning any product.

Prior to Installation

- Remove the drawer from the cabinet. This is done by pressing in on the silver tabs located on the sides in the mid-section of the drawer. Lift up on the front of the drawer, removing it from the mounting tabs and pull it away from the cabinet. (See detail A)
- It may be necessary to remove contents that are stored in or around the mounting footprint of the TufBox as these components may not be accessible after installation.



DETAIL A

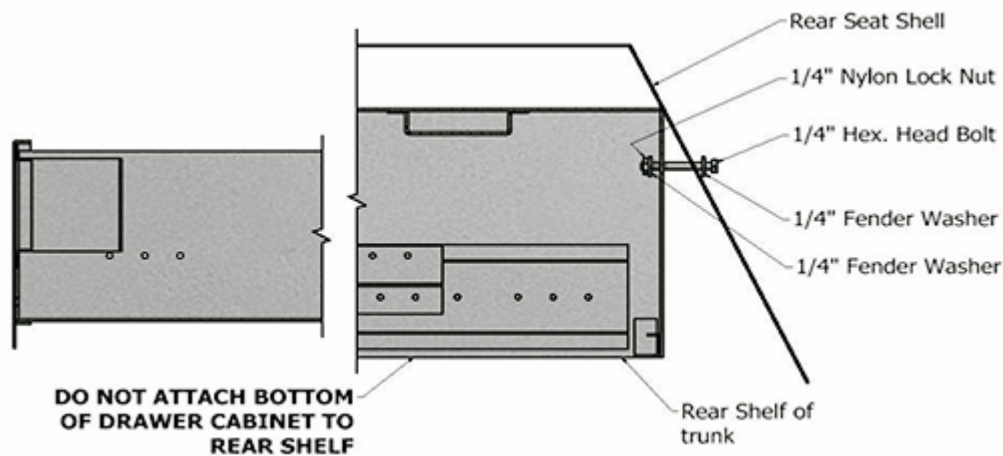
Hardware

- Because of the gas tank location, wiring, hoses, etc, it is recommended that there be no drilling in the shelf area for mounting.



Mounting TufBox to Vehicle

- Place the TufBox cabinet in the trunk of the vehicle. You may need an assistant to help lift and position this on the back ledge.
- The cabinet should be mounted to the back metal framework of the rear seat. The rear seat must be removed. Once this has been done, the back area is completely accessible. Drill (2) 9/32" dia. holes and use the (2) 1/4-20 fasteners with nylon lock nuts provided to attach the drawer.
- After the drawer cabinet is installed, replace the rear seat.



Place Drawer into the Cabinet

Place the drawer back into the cabinet by extending the drawer slides and snapping the rails on the tabs. You may need an assistant to help align the tabs over the drawer slides. (See Detail A on Page 2)

Make Sure the Drawer Functions Properly

Open & close the cabinet drawer to make the sure the drawer is firmly attached to the slides. If the drawer is not firmly attached, remove the drawer, bend the silver tabs outward and replace the drawer.

Maintenance

- These drawers are intended to hold a maximum weight of 200 lbs. Do not exceed the drawer weight limit. Exceeding the weight limit can make the drawer difficult to operate and can shorten the life of the bearings in the drawer slides.
- The TufBox is designed to provide years of reliable service with minimal maintenance. Occasionally, coat the key with a light petroleum-based lubricant such as WD-40 and insert the key into the lock & turn a few times to lubricate the lock cylinder. NEVER use a graphite based oil. The drawer slides should also be lubricated periodically to assure longer life.
- Standard T-Handle: An adjustable cam can be adjusted to keep the drawer tight and eliminate rattle. (See diagrams below)
- Premium T-Handle: An adjustable roller can be adjusted to keep the drawer tight and eliminate rattle. (See diagrams at left). The Premium T-Handle has the ability for additional security to have a padlock added to the handle (Supplied by others).
- Combination Lock: Please refer to enclosed instruction booklet.

