

TUFLOC

INSTALLATION INSTRUCTIONS

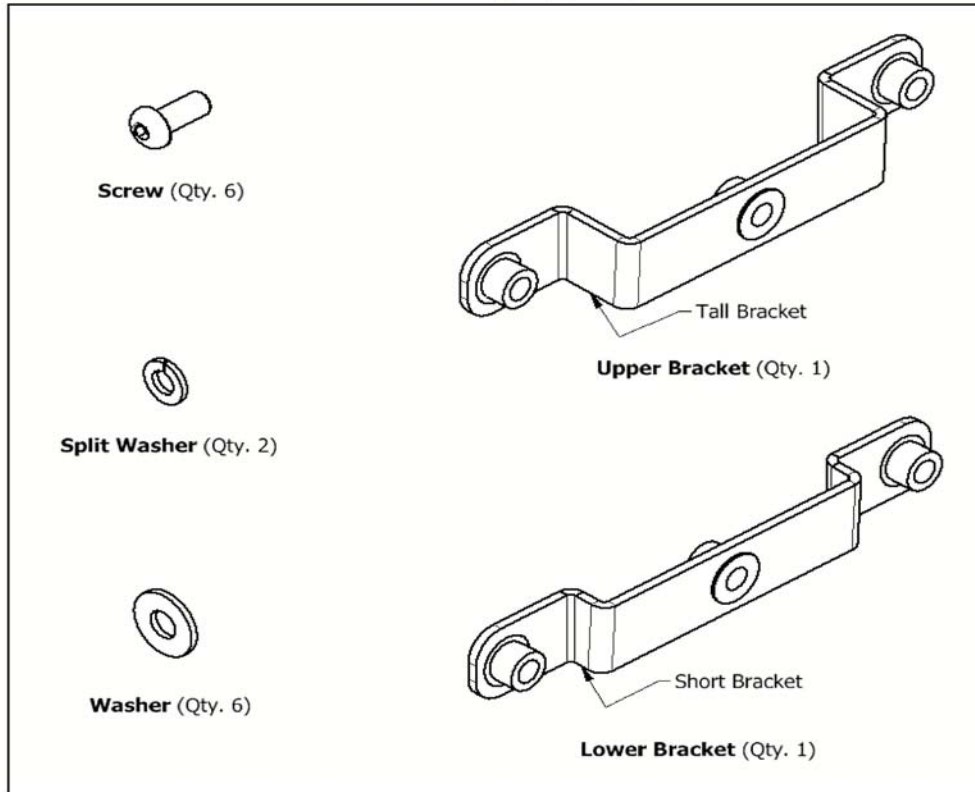
X-Lock Vertical Mount for Partion with Recessed Panel



Congratulations and thank you for your recent purchase of the TUFLOC gun rack system. Esmet, Inc. has designed and manufactured the highest quality products for over sixty-five years and we are confident that you will be a satisfied Tufloc product owner.

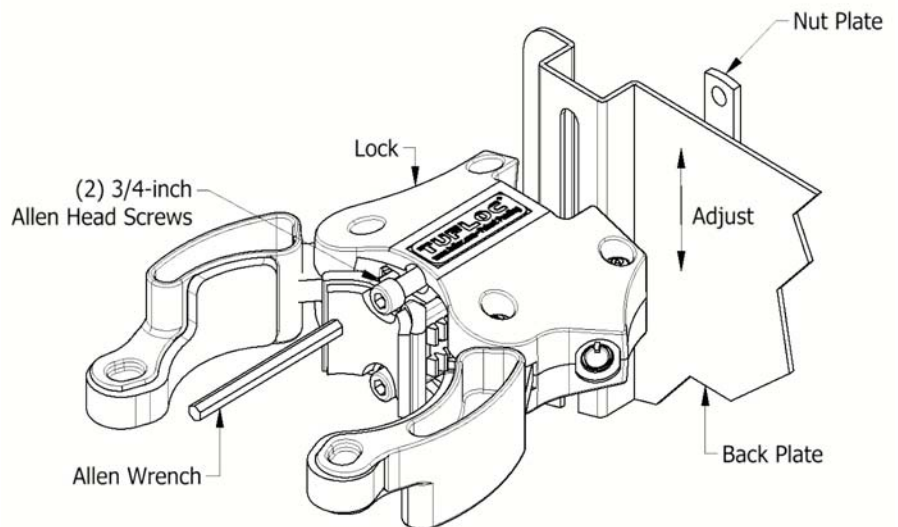
This manual includes simple step-by-step instructions to install, operate and maintain your gun rack. Please contact the factory if you have any installation or operation questions.

Hardware (Supplied)



Adjust Components to Fit Gun(s)

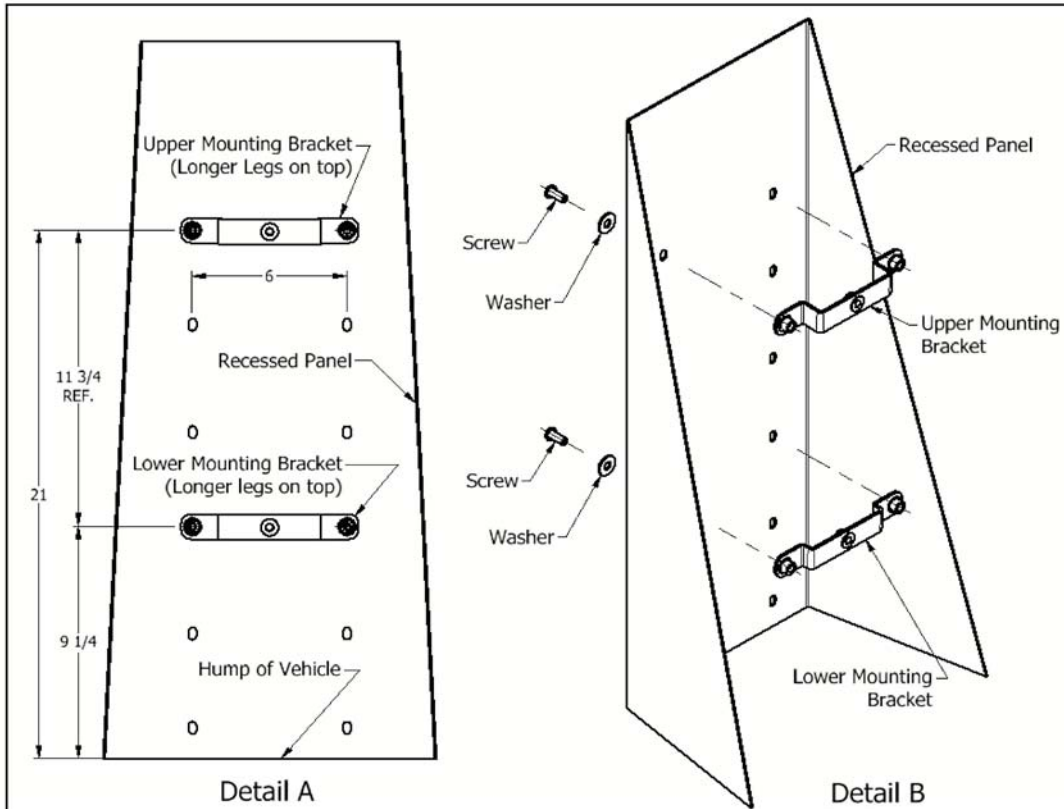
1. Each gun rack is shipped with the components already attached. However, it may be necessary to adjust the components to fit a specific make/model of gun.
2. To make adjustments, use the key to open the lock.
3. Without completely removing the screws, use a 3/16" allen wrench to loosen the screws. This will allow the gun lock to slide along the channel.
4. Place the gun in the rack and slide the lock along the channel. The proper position of the lock will keep the gun from being lifted out of the butt pocket and will keep ammunition from being chambered. The butt pocket may also need to be adjusted and can be done by loosening the nuts on the rear of the backplate for up/down adjustment. Nuts can be loosened in butt pocket for in/out adjustment.
5. Once all adjustments are made, verify that the gun fits securely by locking it in the rack.



Mount Brackets to Partition

1. The Upper and Lower Mounting Brackets will be mounted to the Recessed Panel. Make sure the tall bracket is used in the top location. Make sure the longer legs of each bracket are facing upwards.
2. Some partitions have pre-drilled holes and these holes can be used to secure the Mounting Brackets. If the recessed Panel does not have pre-drilled holes, it will be necessary to drill four $\frac{3}{8}$ " holes into the Recessed Panel. A mounting bracket can be used as a template to mark the holes. See Detail A for dimensions.

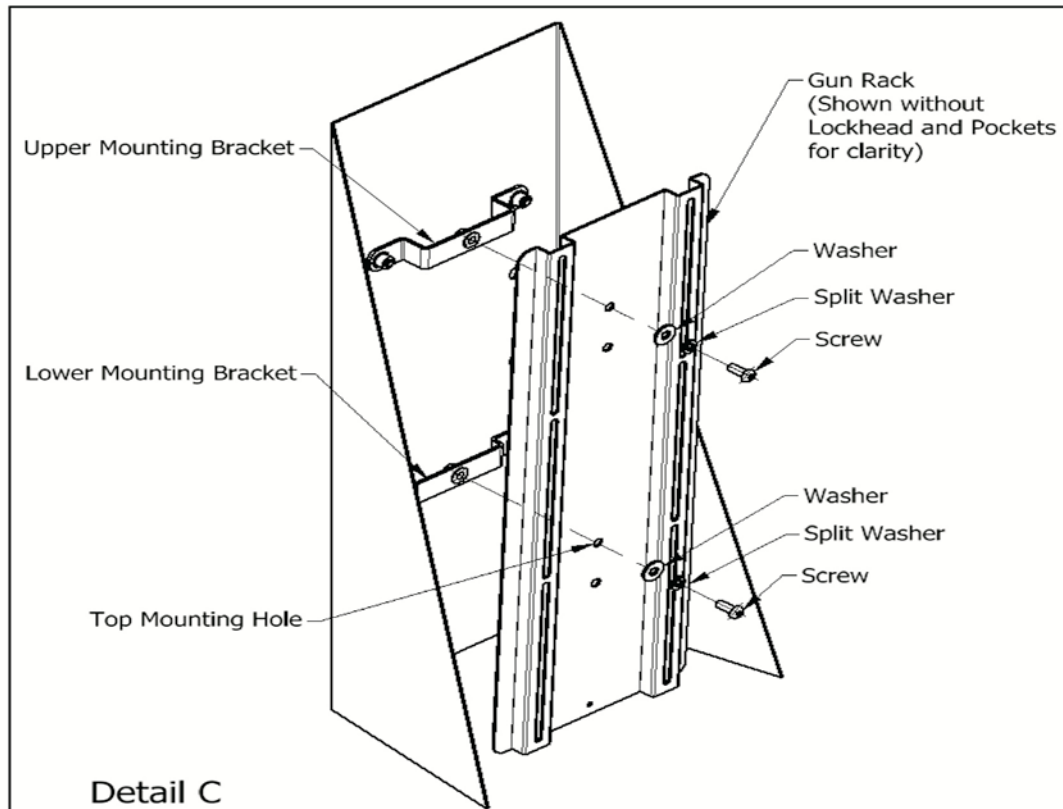
Mount the Brackets to the Recessed Panel making sure the brackets are in the correct configuration as is explained in Step 1.



Mount Gun Rack to Recessed Panel

For clarity, the Gun Rack is shown without the Lock or Butt Pocket

1. Begin preparation for Electrical Wiring. See Electrical Instructions in the enclosed Wiring Kit.
2. With the guns removed, secure the Gun Rack to the center of the Mounting Brackets with the two screws.
3. Place guns into the rack to make sure they fit properly and they cannot be removed when locked in place.
4. Finalize wiring the Locks per Electrical Instructions.



Important Safety Information

Place the Accidental Discharge and the Lock Operation stickers that are included in the Wiring Kit in a visible spot on the Gun Rack.