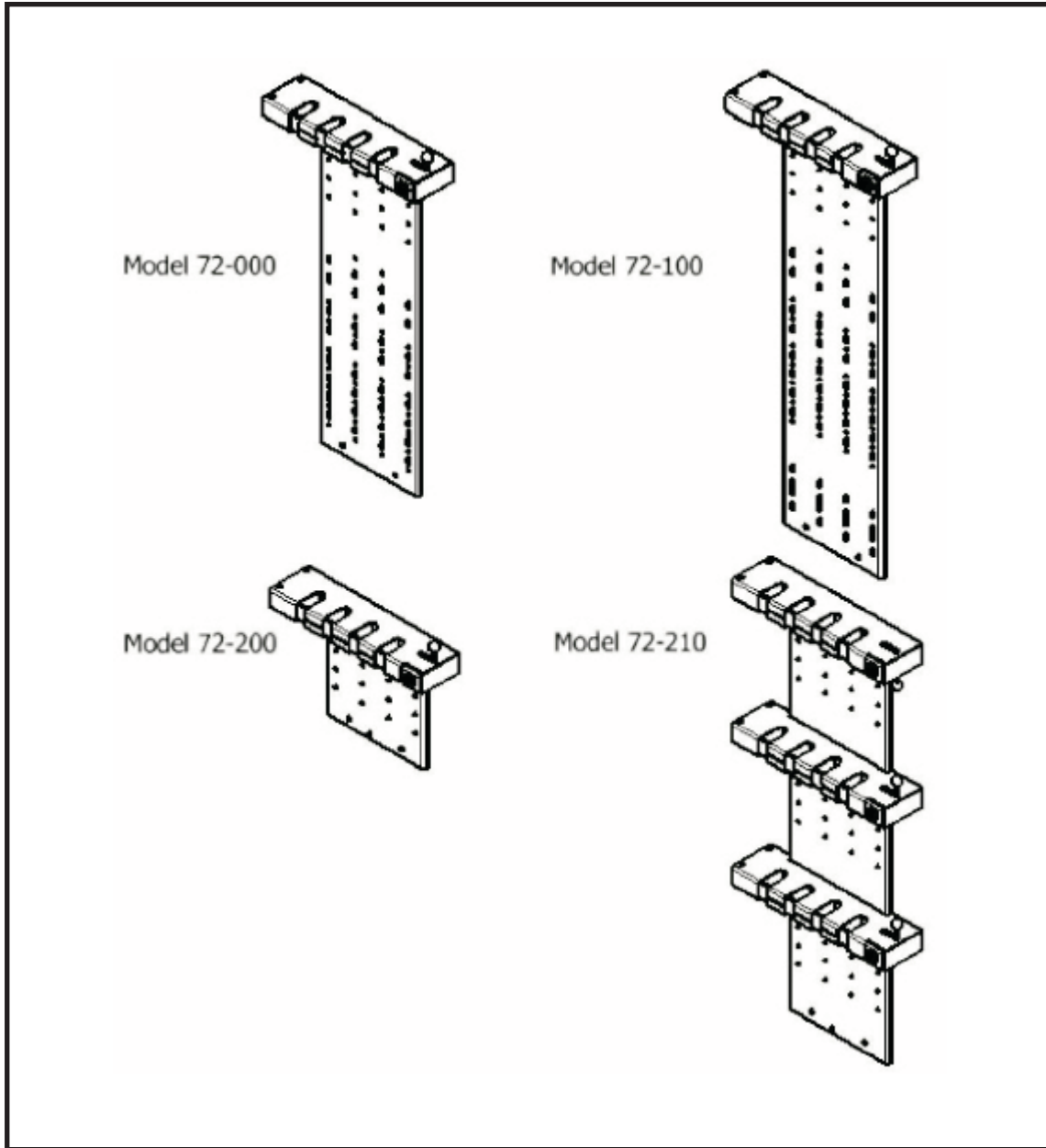


TUFLOC

ASSEMBLY INSTRUCTIONS

QuadRack Weapon Storage Unit



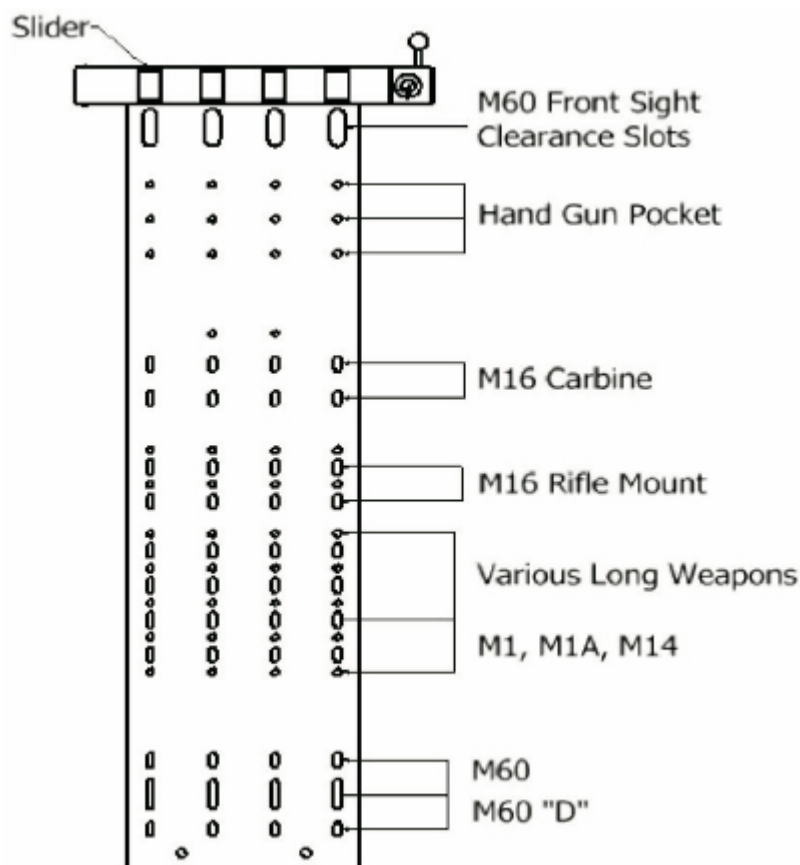
IMPORTANT

Retain the key code number found on metal key ring. The key code number is necessary to order replacement keys.

Quad Racks come in four basic configurations. A variety of weapon pockets can be accommodated on the Quad Rack.

The Quad Rack is not intended for double barrel (side-by-side) guns. When storing pump-action guns, the fore-grip should be in a retracted position. When locking automatic or bolt-action guns, always unload and secure the ammunition.

See detail below illustrating the general pocket location for specific guns. The holes allow the pockets to be mounted in various positions. The pockets may require adjustment due to variations in gun make and model.



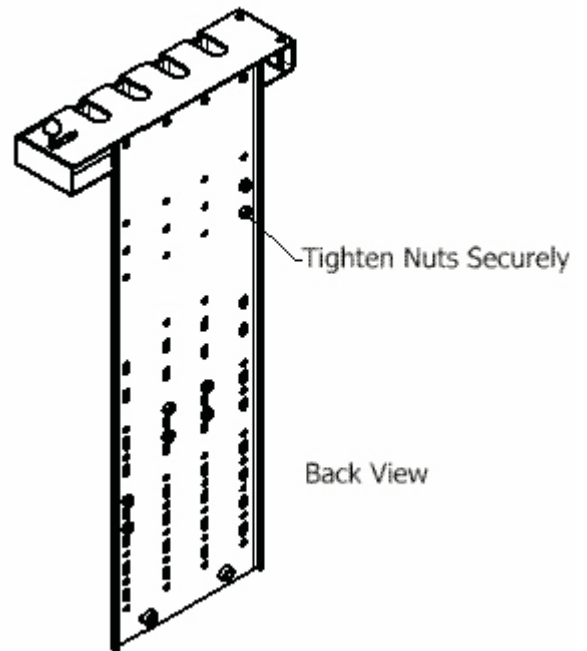
The Slider is the plate that covers each independent slot on the head of the Quad Rack. When open, the Slider allows the barrel of the gun to be removed. To ensure proper fit, insert the gun into the pocket, place the barrel in the top-retaining slot, close the slider, and check that the gun cannot be lifted out of the pocket with the slider closed.

To Unlock:

1. Turn key counter-clockwise.
2. Pull lock cylinder away from rack until it stops.
3. Slide handle to left. The rack is shipped with the handle mounted on the bottom of the lock slide. However, it can be unscrewed and moved to the top.

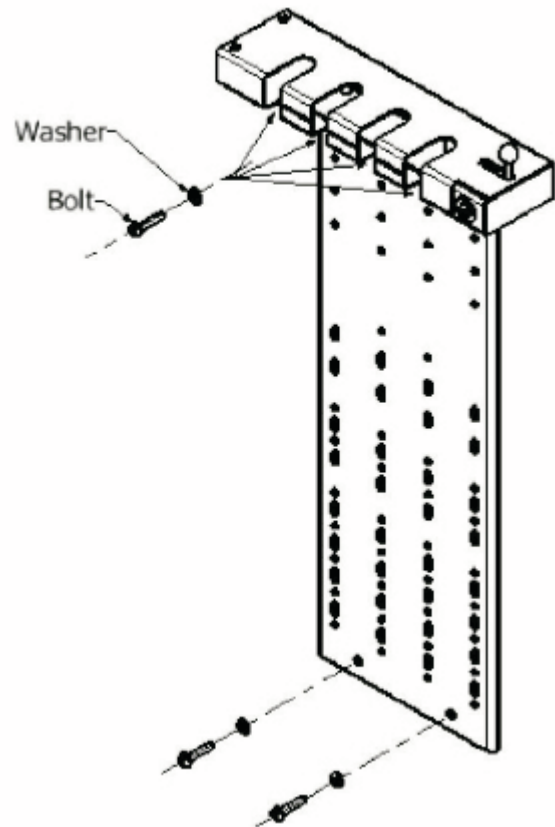
Some guns may be mounted with the trigger facing either in or out. M16s must be mounted with trigger facing in. Shotguns must be mounted with trigger facing out. Total security of the gun can only occur if the gun cannot be disassembled while it is locked in the rack. Racks, pockets and certain accessories have been designed to prevent such disassembly. However, the user must confirm this with their specific gun to ensure some features of the gun do not violate this concept.

After all pockets have been mounted and fit-checked, securely tighten nuts on backside of rack (See detail at right).



Mount the assembled Quad Rack to the wall as illustrated. A total of 6 bolts and washers are required to mount the Quad Rack to the wall. (These are not supplied with the rack.)

- CAUTION:**
- (A) Pockets must be securely mounted to the rack and, if required, adjusted to fit the gun **before** the rack is mounted.
 - (B) The wall to which the rack is mounted and the method of mounting must be secure to prevent the entire rack from being stolen.
 - (C) In any installation, care must be taken to assure that the nuts securing the racks cannot be loosened.



If the Quad Rack is used with the freestanding frame, mount the rack to the frame. Next, secure the frame to the floor. Note: So the pockets cannot be removed from the Quad Rack and so the frame cannot be removed from the floor, the nuts must be welded in place.

