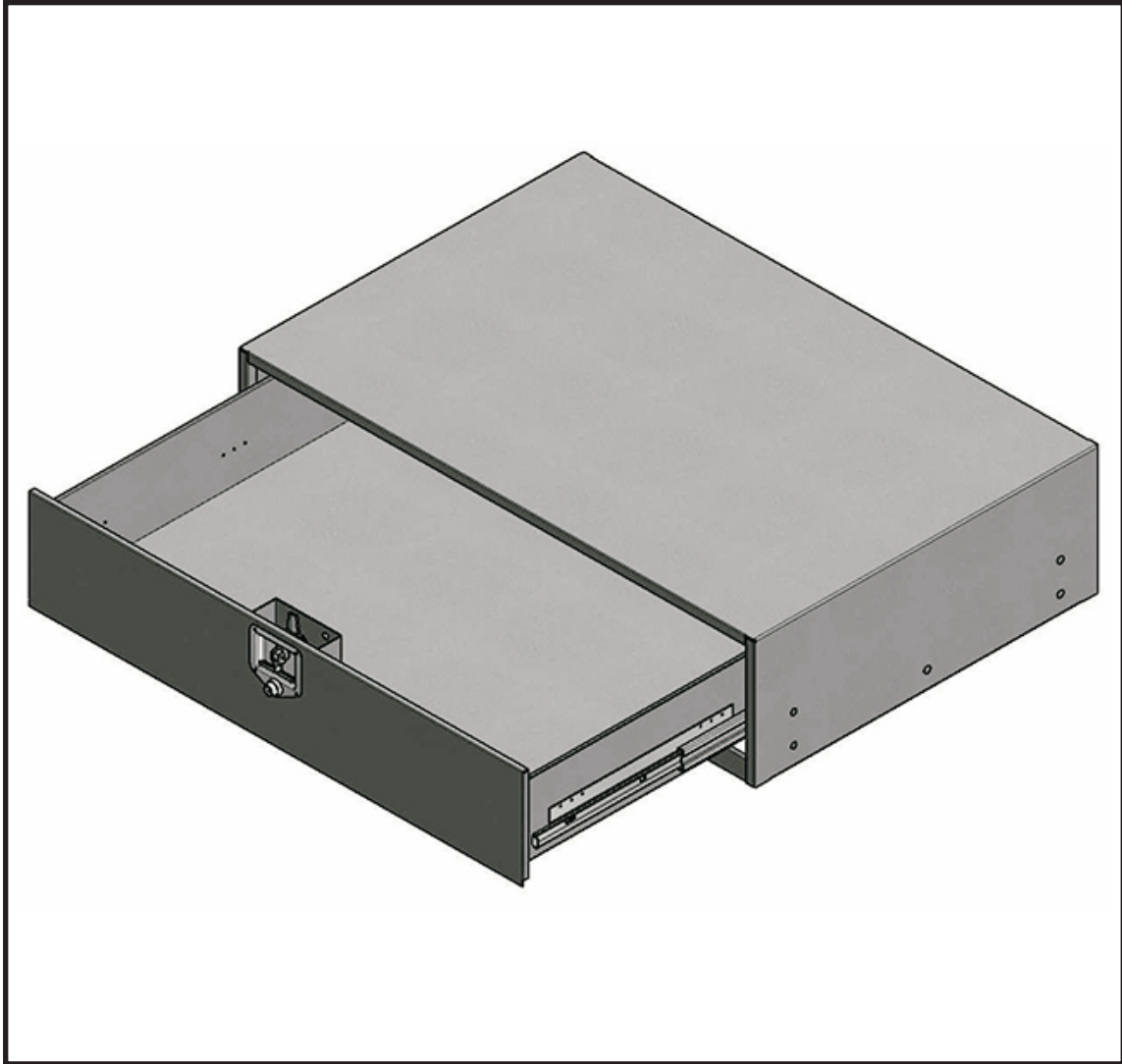


TUFLOC

INSTALLATION INSTRUCTIONS

Sport Utility Vehicles TufBox

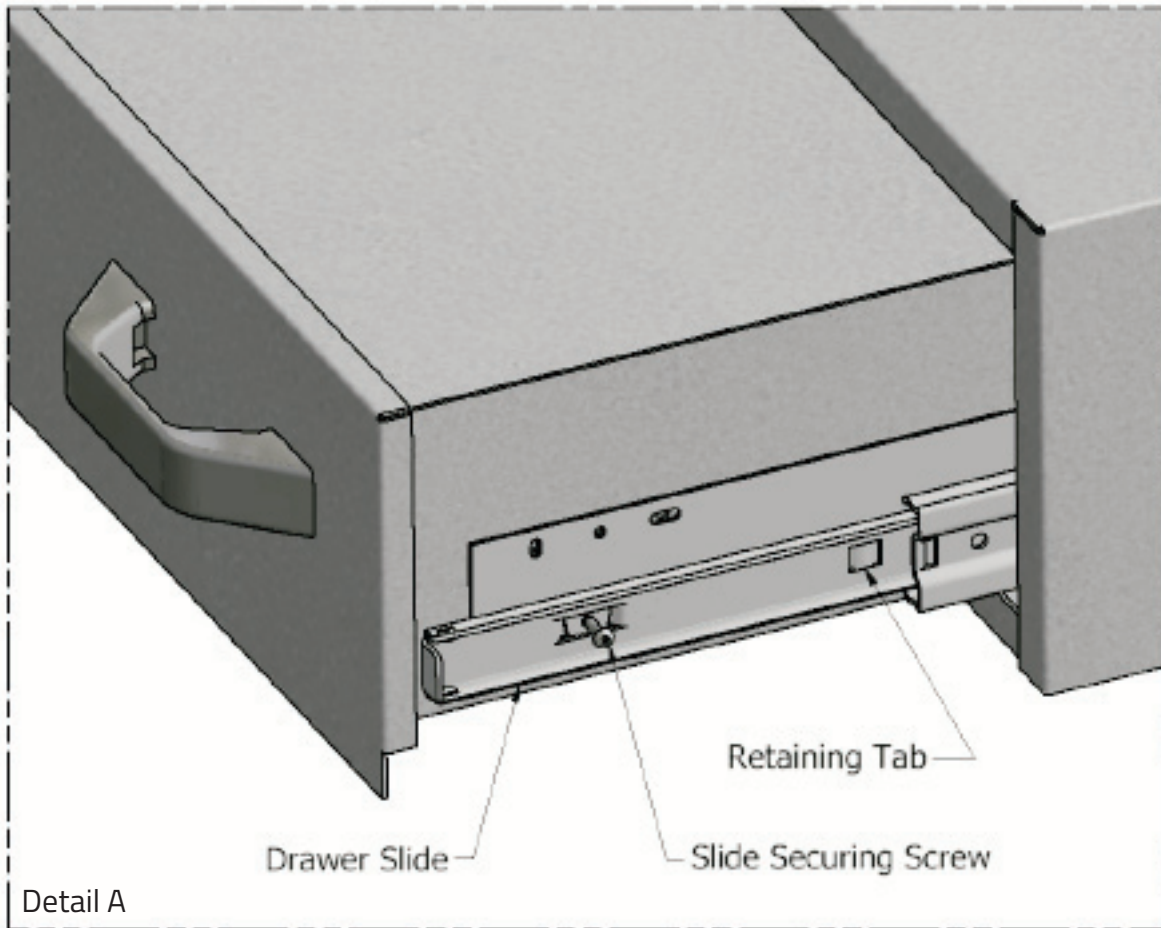


Warranty

Thank you for purchasing the TufBox manufactured by TUFLOC. We have worked hard to develop the best storage box on the market and warrant this product for one year from date of purchase against defects in materials and workmanship. This warranty is limited to replacement or repair of the product only. No other warranties are expressed or implied. Please contact the factory for warranty claims before returning any product.

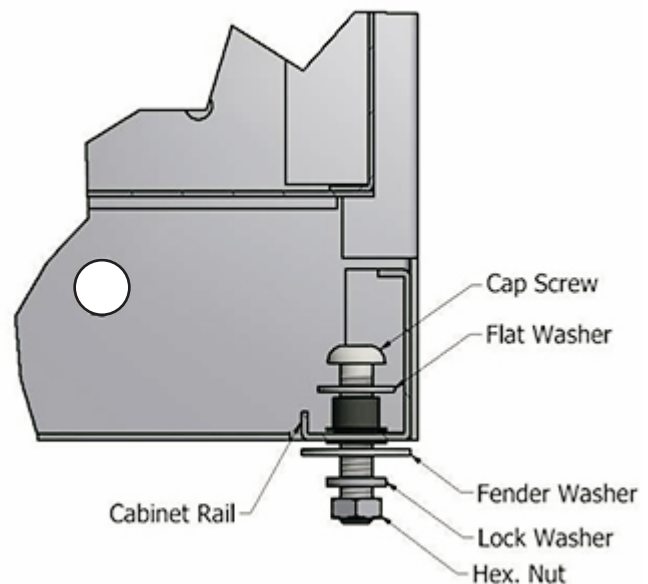
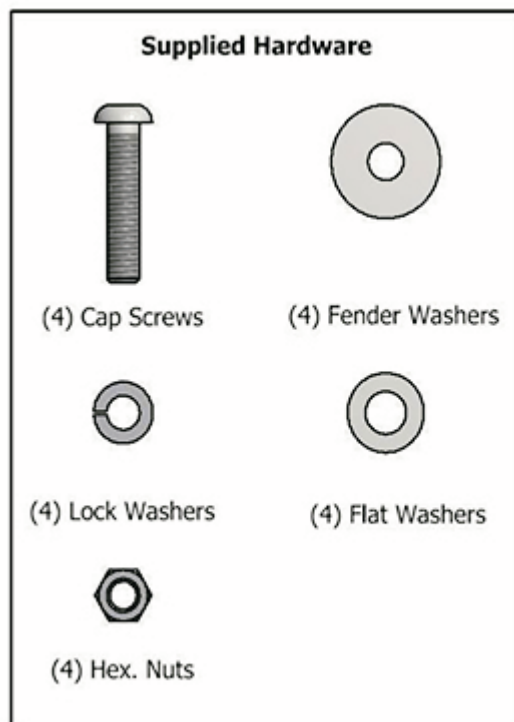
Prior to Installation

- It may be necessary to remove contents that are stored in or around the mounting footprint of the TufBox as these components may not be accessible after installation.
- Prior to installation, make sure the TufBox fits properly between the wheel wells of the vehicle.
- Remove the drawer from the cabinet by removing the Slide Securing Screws located on each side of the drawer. Next, while pressing in on the Retaining Tabs located on the sides of the drawer, lift up on the front of the drawer, removing it from the tabs and pull it away from the cabinet. (See detail below)



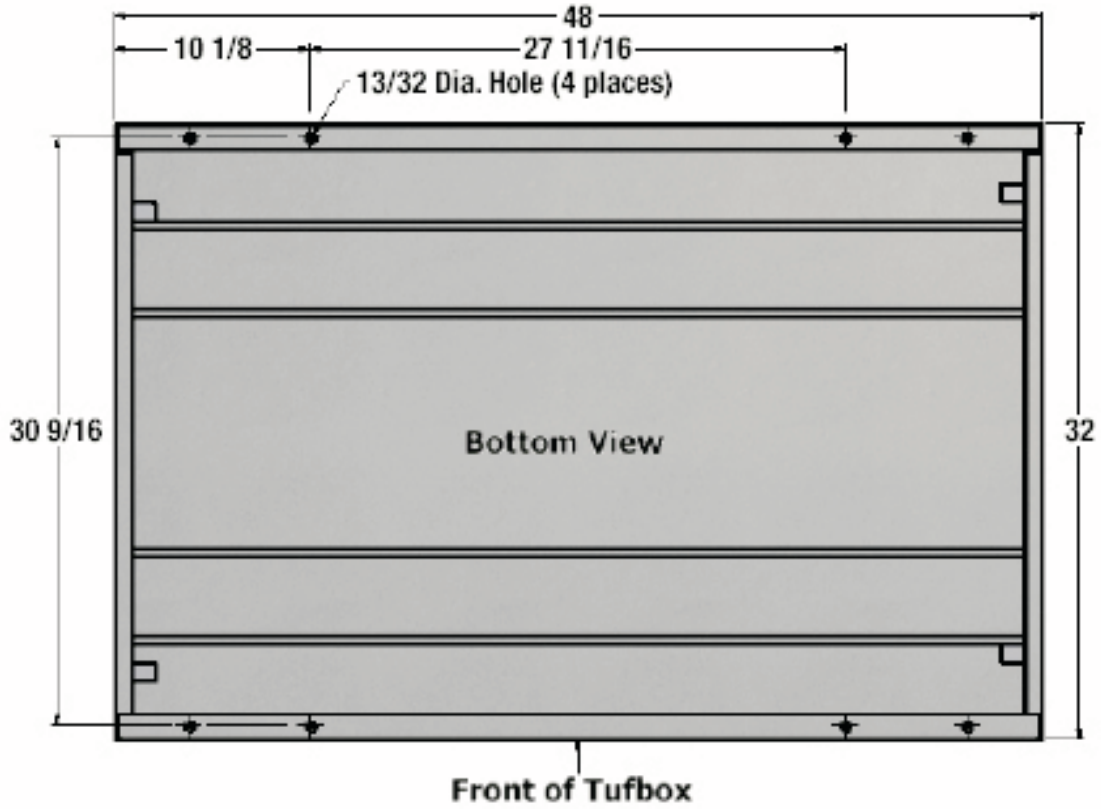
Secure the TufBox to Vehicle

- Place the Cabinet in the vehicle, and determine the best mounting location. Make sure the rear door of the vehicle will close properly.
- Based on the TufBox model that is being installed, use the mounting bolt pattern shown on pages four and five. To avoid damage to carpeted interior, place masking tape on the carpet under the holes and use a pen to mark the masking tape. If the pre-drilled holes conflict with the vehicle's gas tank, electrical wiring, hoses, etc, the front and rear rail supports can be re-drilled to suit.
- It is not recommended that you drill through the carpet as the drill bit may snag and tear the carpet. You may wish to center punch the locations (through the carpet) then lift the carpet for drilling. Once the hole locations are selected, drill 13/32" holes.
- With the holes drilled, place the cabinet back into vehicle and align frame holes with holes in floor.
- Use the hardware kit as provided to secure the drawer cabinet to the vehicle. Note: Due to different makes/models of vehicles different fasteners may be necessary.

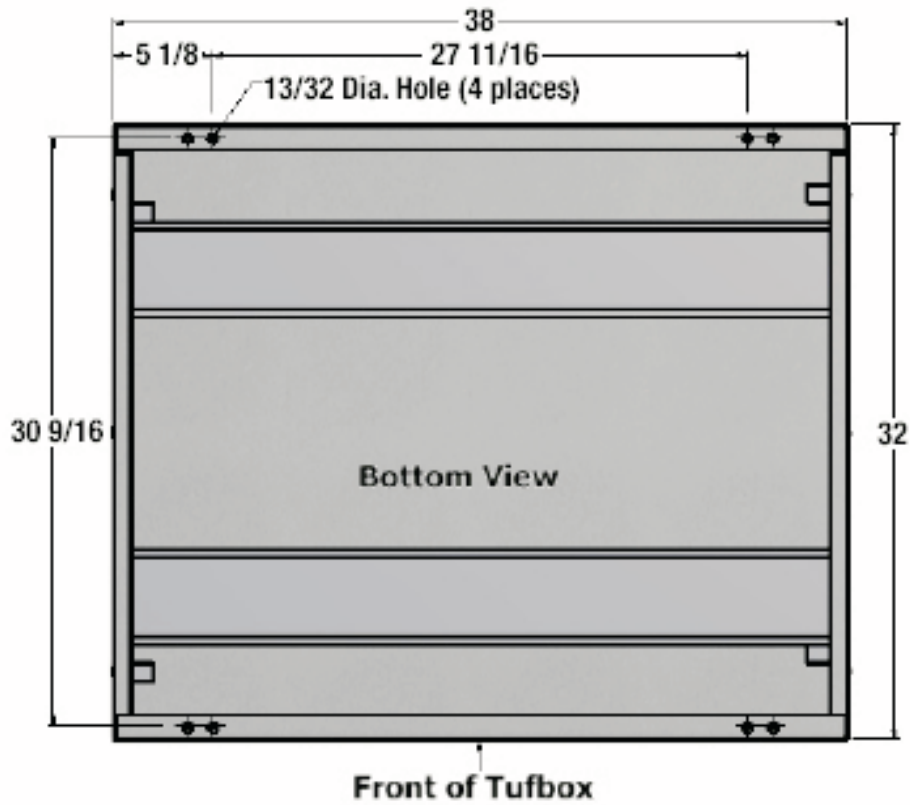


Mounting Bolt Assembly

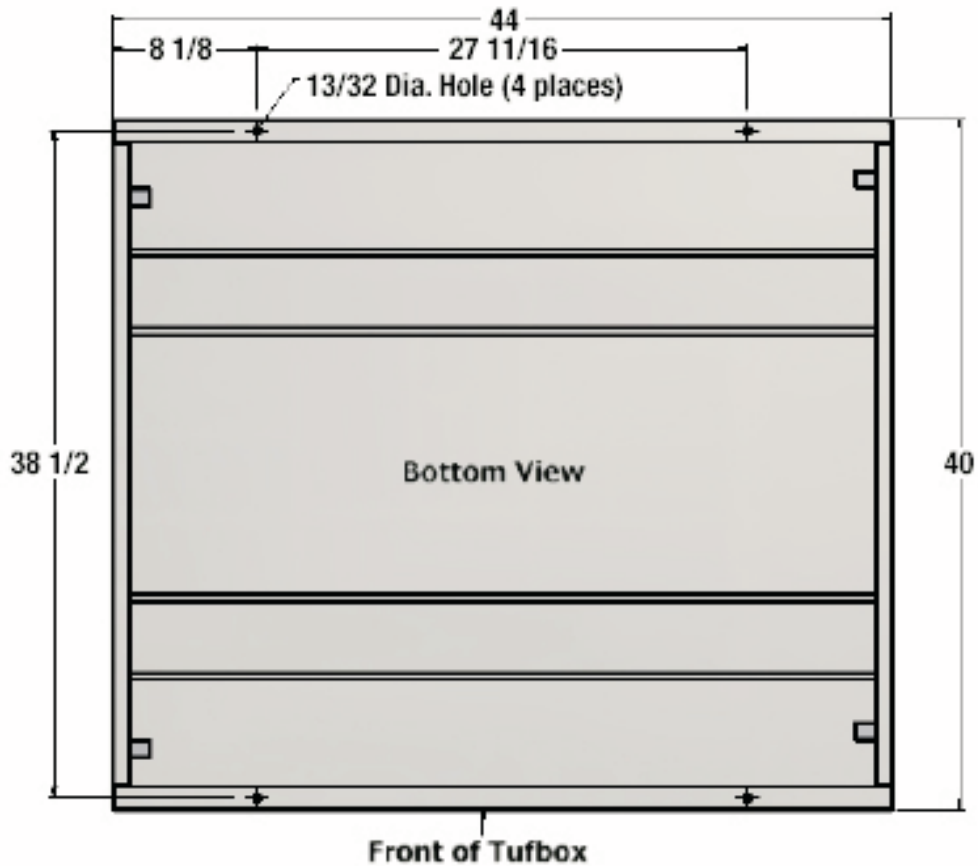
Bolt Pattern (For P/N 36-009)



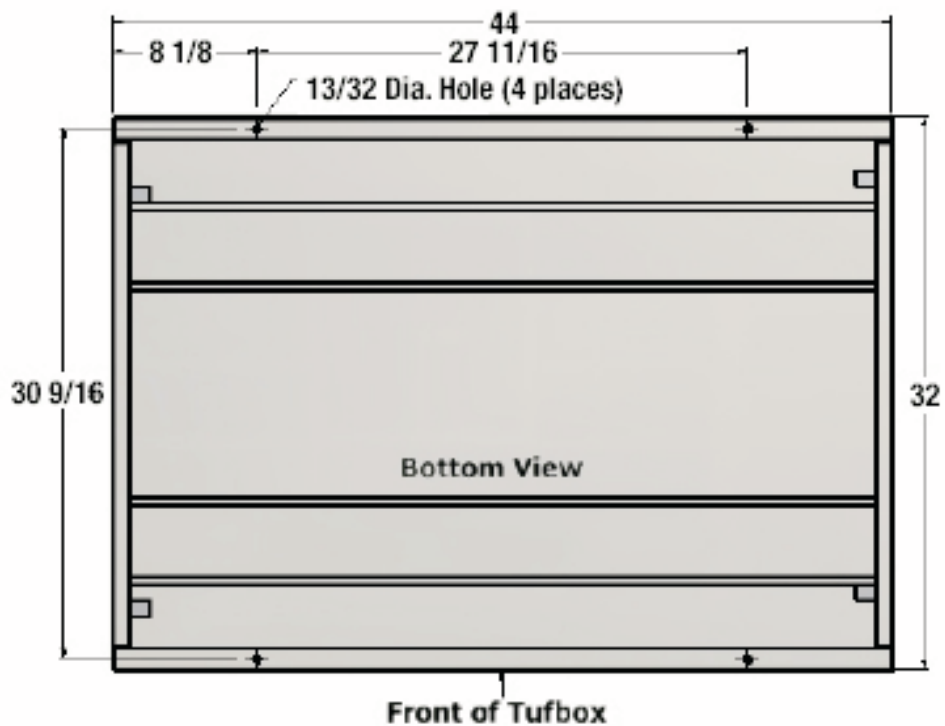
Bolt Pattern (For P/N 36-010)



Bolt Pattern (For P/N 36-018)



Bolt Pattern (For P/N 36-019)



Place Drawer Into the Cabinet

Place the drawer back into the cabinet by extending the drawer slides and snapping the rails on the Retaining Tabs. You may need an assistant to help align the tabs over the drawer slides. Install the Slide Securing Screws on each side of the Drawer. (See Detail A on Page 2)

Make Sure the Drawer Functions Properly

Open and close the cabinet drawer to make the sure the drawer is firmly attached to the slides.

Maintenance

- These drawers are intended to hold a maximum weight of 200 lbs. Do not exceed the drawer weight limit. Exceeding the weight limit can make the drawer difficult to operate and can shorten the life of the bearings in the drawer slides.
- The TufBox is designed to provide years of reliable service with minimal maintenance. Occasionally, coat the key with a light petroleum-based lubricant such as WD-40 and insert the key into the lock & turn a few times to lubricate the lock cylinder. NEVER use a graphite based oil. The drawer slides should also be lubricated periodically to assure longer life.
- Standard T-Handle: An adjustable cam can be adjusted to keep the drawer tight and eliminate rattle. (See diagrams below)
- Premium T-Handle: An adjustable roller can be adjusted to keep the drawer tight and eliminate rattle. (See diagram below on left). The Premium T-Handle has the ability for additional security to have a padlock added to the handle (Supplied by others).
- Combination Lock: Please refer to enclosed instruction booklet.

