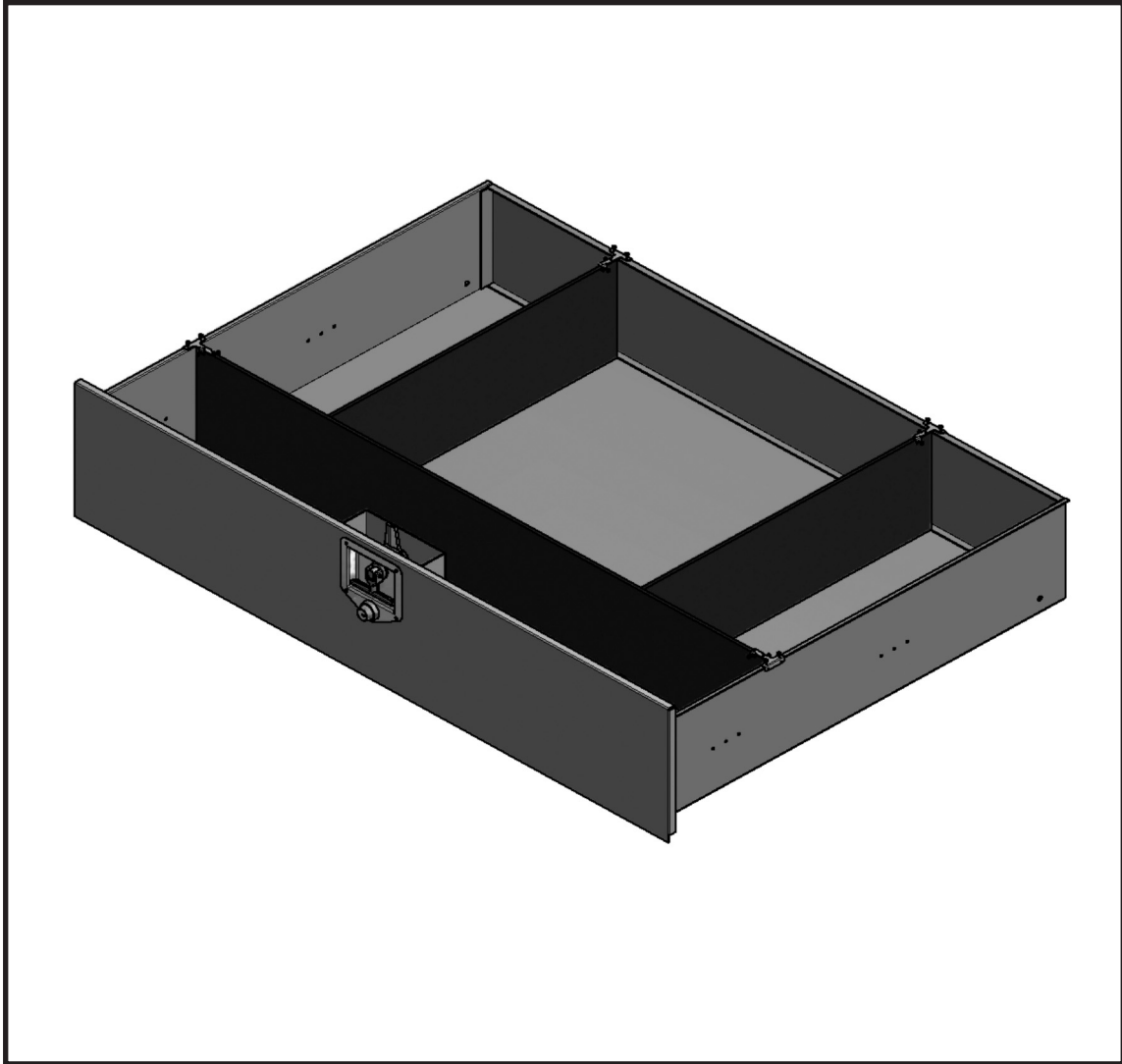


# TUFLOC

## INSTALLATION INSTRUCTIONS

### TufBox Divider System



---

### Warranty

Thank you for purchasing the Divider System for TufBox Drawers. We have worked hard to develop the best storage box on the market and warrant this product for one year from date of purchase against defects in materials and workmanship. This warranty is limited to replacement or repair of the product only. No other warranties are expressed or implied. Please contact the factory for warranty claims before returning any product.

## Parts

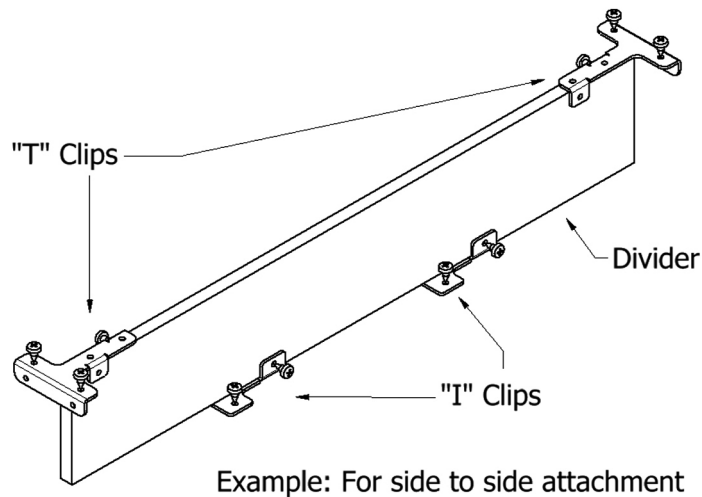
Each Divider Kit contains (1) 48" Divider and (1) package of Mounting Clips. Additional kits can be purchased.

The Dividers can be cut and arranged in an infinite number of combinations. When used in the tall TufBox, they can even be spaced to accommodate hanging file folders.

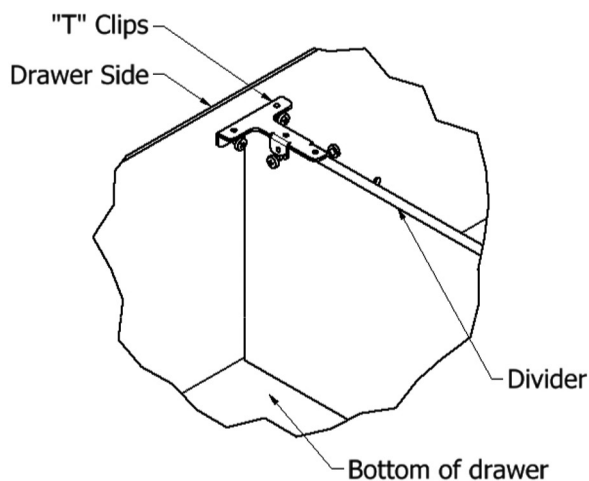
There are two styles of Mounting Clips. These T-Shaped and I-Shaped Clips can be used to attach dividers to the top, bottom and sides of the drawer or to other dividers.

## Installation

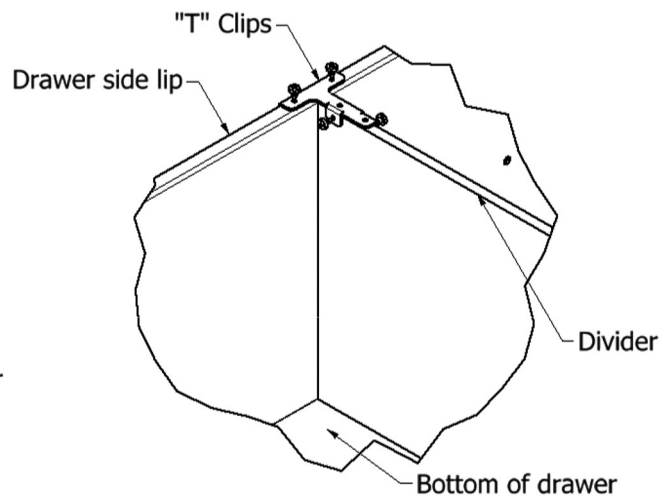
1. Determine how the drawer is to be divided. Measure width of space to be partitioned. Take overall width of space, subtract 1/8" for clearance of mounting clips and cut divider to fit space.



2. See description under the diagrams below for mounting to your specific TufBox height. Position the divider at the desired location. Use the clips as a template and mark the position where the divider will be mounted. With a 3/32" bit, drill holes at the marked locations.
3. When mounting the clips to floor of the drawer, make sure they are secured in place BEFORE mounting the Divider to the TufBox or to other Dividers. Put Divider into place and secure the clips into the drilled holes with the supplied screws.



Bracket Placement for 5" drawers



Bracket Placement for 7" & 10" drawers