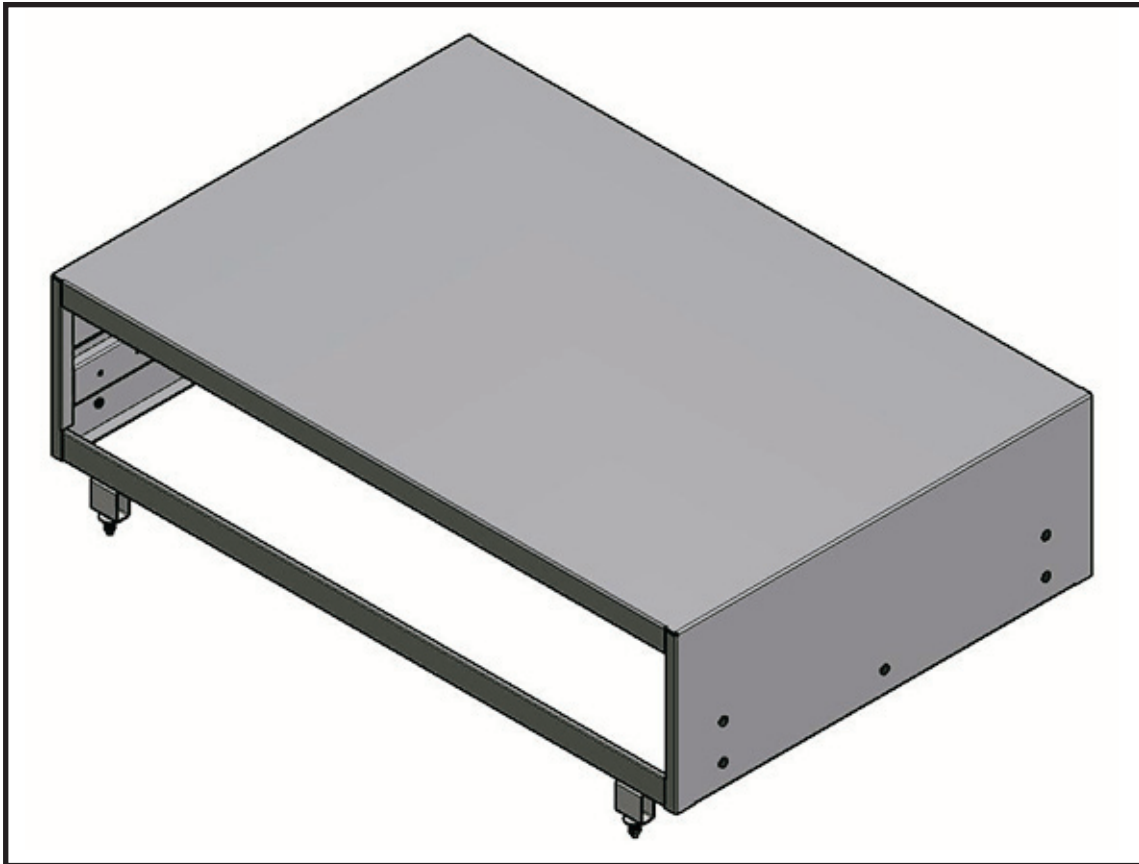


# TUFLOC

## INSTALLATION INSTRUCTIONS

### TufBox Lift Kit



#### Mounting Bolt Assembly

The riser will raise the TufBox an additional 2 inches allowing the drawer to clear the vehicle's lip.

Remove the drawer as is shown in the TufBox assembly instructions.

Remove existing mounting bolts, insert the four risers and secure the cabinet using the enclosed hardware. (see diagram right)

