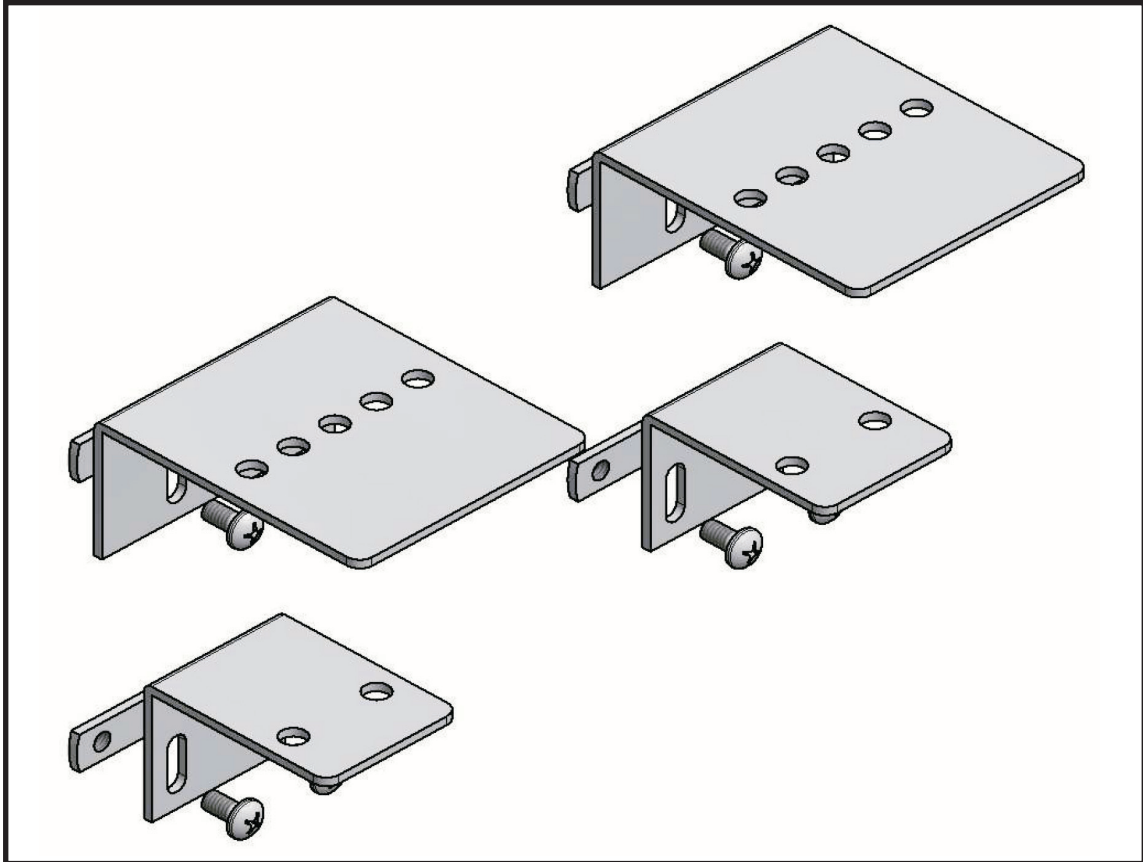


# TUFLOC

## INSTALLATION INSTRUCTIONS

### Optional Adapter Brackets



### Installation

- The adapter brackets kit allow for the weapon rack to be mounted in a perpendicular configuration and the barrel of the weapon to be pointing to the left or right.
- See detail at right for an exploded view of a typical weapon rack assembly with the optional adapter brackets.

