

TUFLOC

INSTALLATION INSTRUCTIONS

Seat Organizer

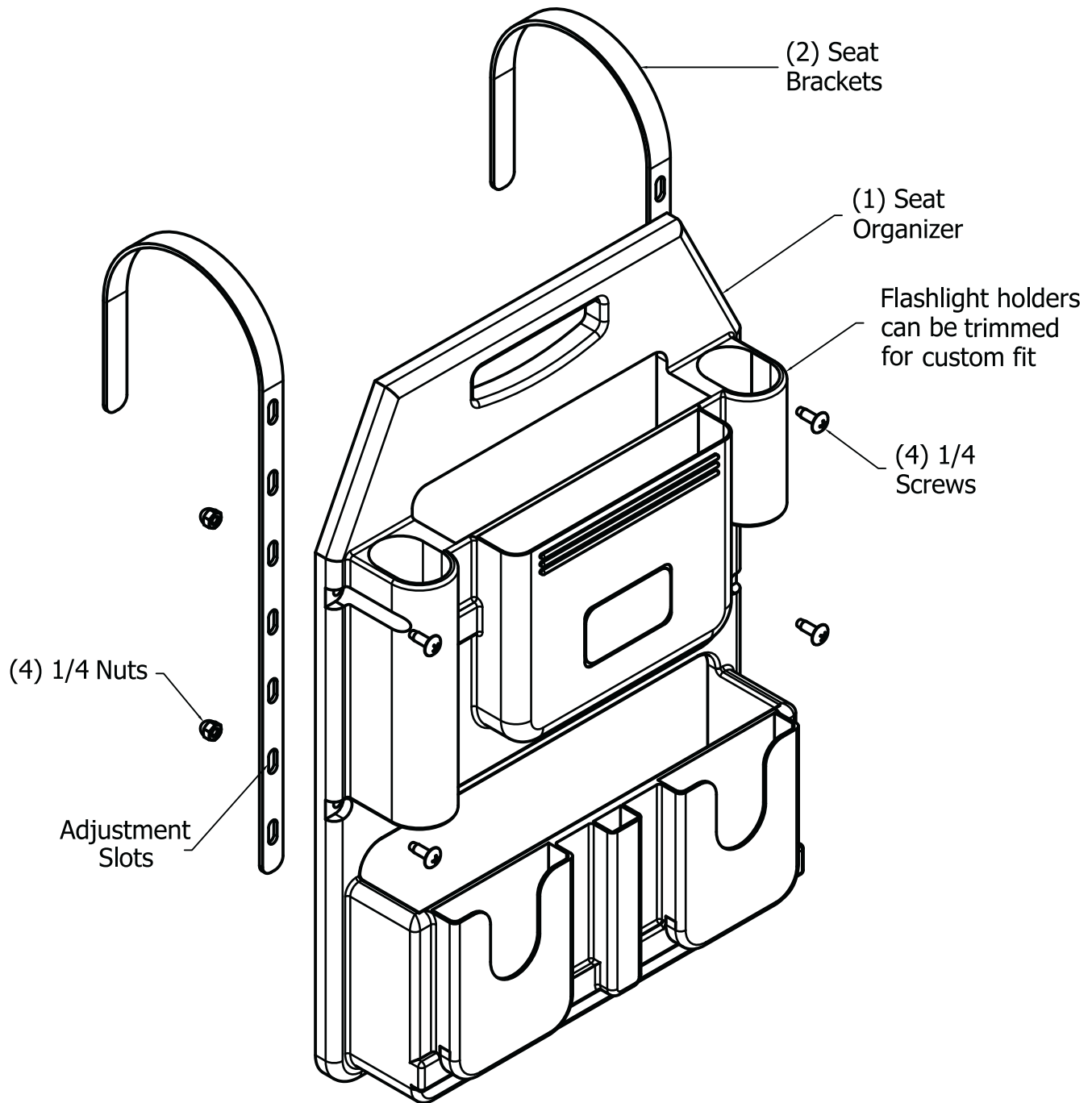


Congratulations and thank you for your recent purchase of the TUFLOC Seat Organizers. Esmet, Inc. has designed and manufactured the highest quality products for over sixty-five years and we are confident that you will be a satisfied Tufloc product owner.

This manual includes simple step-by-step instructions to install, operate and maintain your Seat Organizers. Please contact the factory if you have any installation or operation questions.

Installation

Place seat organizer against back of the seat to determine its best location. Once desired location has been determined place the seat brackets over the seat and use the supplied screws and nuts to attach the seat brackets to the organizer. (See Detail below)



Warranty

TUFLOC warrants its products for one year after purchase against defects in materials and workmanship. This warranty is limited to replacement or repair of the product only. No other warranties are expressed or implied. Please contact the factory for warranty claims before returning any product.