

TUFLOC

INSTALLATION INSTRUCTIONS

Dual Vertical Mount Gun Rack

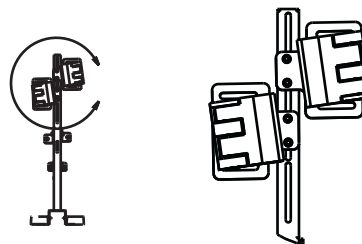
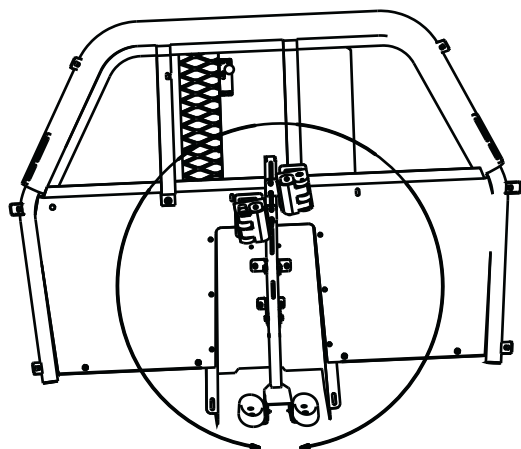


Congratulations and thank you for your recent purchase of the **TUFLOC** gun rack system. Esmet has designed and manufactured the highest quality products for over sixty-five years and we are confident that you will be a satisfied Tufloc product owner.

This manual includes simple step-by-step instructions to install, operate and maintain your gun rack. Please contact the factory if you have any installation or operation questions.

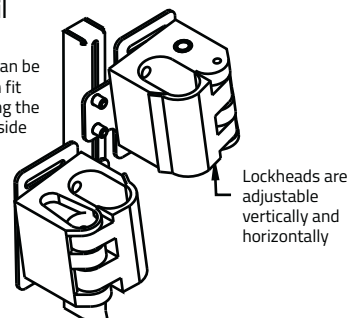
Dual Gun Rack with Partition

1. Prior to placing the gun rack into the vehicle, it may be necessary to adjust the rack to fit the specific make/model of gun. Place butt stock of gun into the cast pocket on the base of the rack while lining up the gun to fit into the lockhead. Once the gun is in a secure position within the rack, tighten all fasteners. (See Lockhead Detail below)
2. Now that the rack is adjusted to properly secure the guns, place gun rack between the vehicle's seats and determine the best location to mount the rack.
3. This rack comes with (2) sets of adjustable brackets that are used to secure the rack to the partition. Use (2) 1/4" bolts to connect the upper L-shaped adjustable bracket to the gun rack. Repeat for lower set of adjustable brackets. (See Mounting Bracket Detail)
4. Using the adjustable brackets as template drill 9/32" holes through the partition. Use (2) 1/4" bolts to connect each of the mountings bracket to the partition.
5. Attach and insulate the red/black wires (supplied) to the corresponding red/black wires on the lockhead. Insure that the wires are not pinched as they are routed behind the channel toward the most convenient power and grounding source.

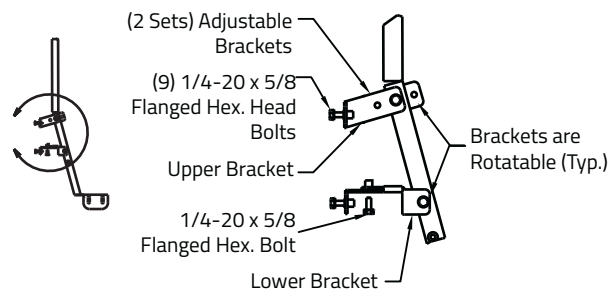
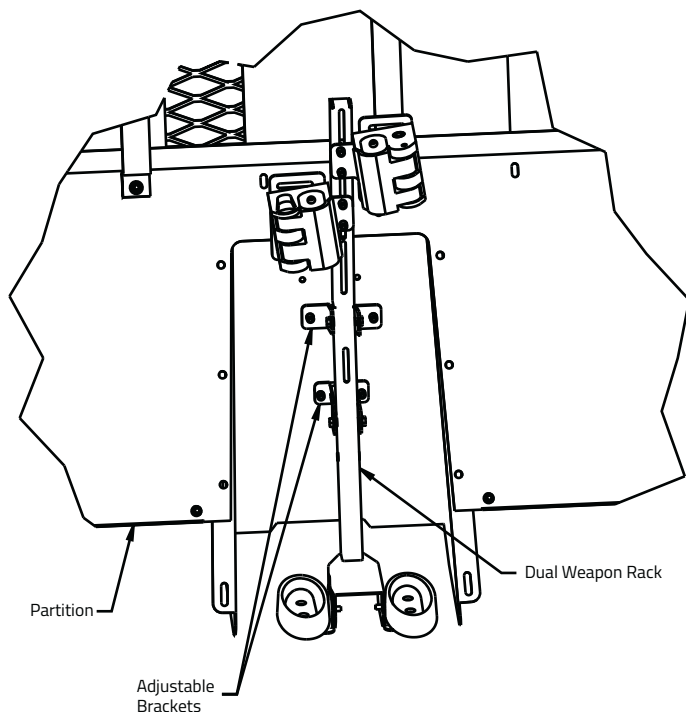


Lockhead Detail

* Large Lockheads can be adjusted for custom fit by raising or lowering the adjustment plate inside



Lockheads are adjustable vertically and horizontally



(2 Sets) Adjustable Brackets

(9) 1/4-20 x 5/8 Flanged Hex. Head Bolts

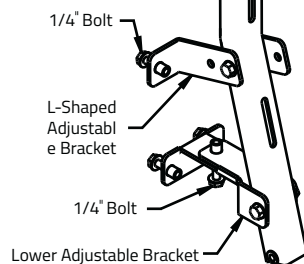
Upper Bracket

1/4-20 x 5/8 Flanged Hex. Bolt

Lower Bracket

Brackets are Rotatable (Typ.)

Mounting Bracket Detail



1/4" Bolt

L-Shaped Adjustable Bracket

1/4" Bolt

Lower Adjustable Bracket