

TUFLOC

INSTALLATION INSTRUCTIONS

Floor Mount Gun Rack

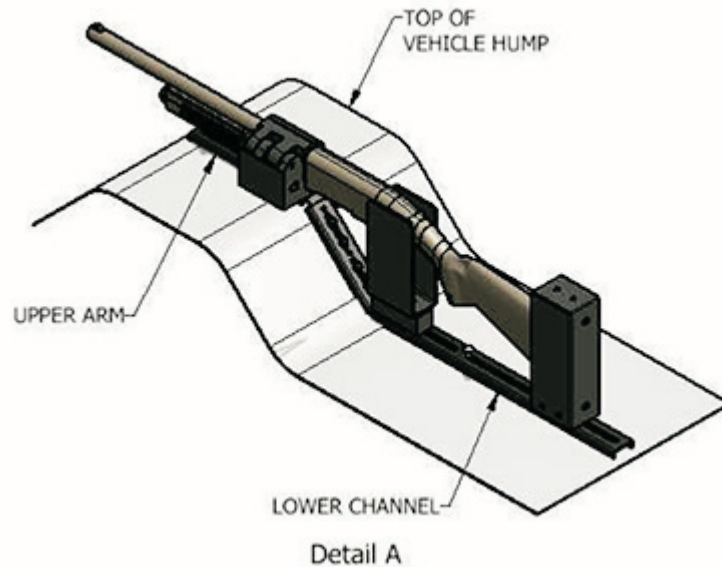


Congratulations and thank you for your recent purchase of the TUFLOC gun rack system. Esmet has designed and manufactured the highest quality products for over sixty-five years and we are confident that you will be a satisfied Tufloc product owner.

This manual includes simple step-by-step instructions to install, operate and maintain your gun rack. Please contact the factory if you have any installation or operation questions.

Floor Mount

1. Before the weapon rack is secured to the vehicle, it is necessary to ensure proper fit. To do this, place the weapon into the rack. (Note: the components shown in the diagram may not be the same components for your specific weapon). Place the rack into the vehicle and adjust the upper arm of the gun rack so it sits on top of the hump (See detail A). When the proper fit is determined, tighten all hardware.



2. Remove the weapon from the rack and route the wires from the lockhead to the appropriate location (See wiring diagram). Make sure the wires are not pinched as they are being routed behind the channel.
3. Drill a clearance hole for the 1/4" Carriage bolt through the hump and through the floor (See detail B). Nuts and washers are to be installed from underneath the vehicle.
4. Large lockheads can be custom fit for weapons. Simply raise or lower the adjustment plate by loosening or tightening the screw.

