

TUFLOC

INSTALLATION INSTRUCTIONS

Vertical Mount Gun Rack

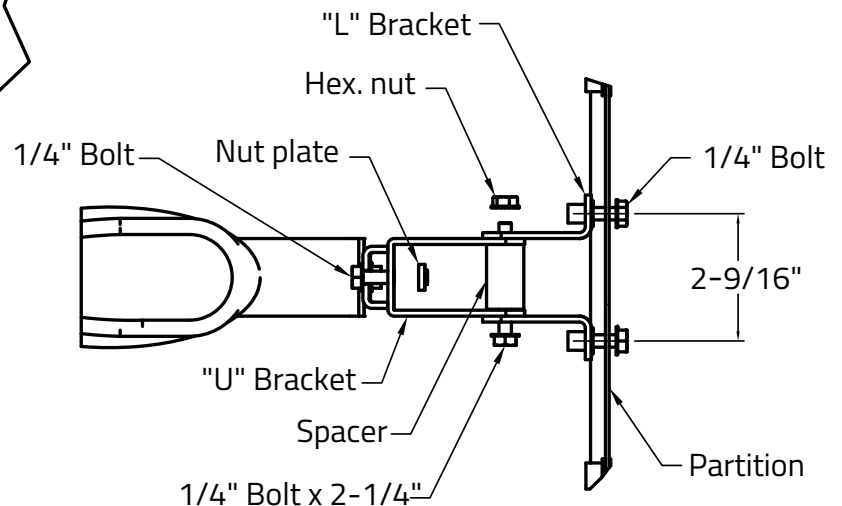
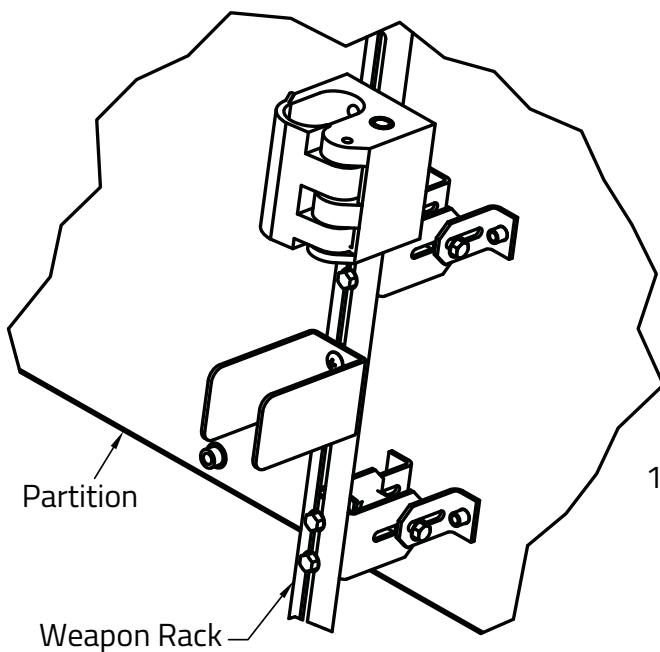


Congratulations and thank you for your recent purchase of the **TUFLOC** gun rack system. Esmet has designed and manufactured the highest quality products for over sixty-five years and we are confident that you will be a satisfied Tufloc product owner.

This manual includes simple step-by-step instructions to install, operate and maintain your gun rack. Please contact the factory if you have any installation or operation questions.

Vertical Mount

1. Set gun rack with gun in vehicle, determine the best location on the partition for the mounting bracket assemblies.
2. To assemble the upper & lower mounting brackets, place the U bracket over the weapon rack channel and place the spacer inside the U bracket. Using the 2-1/4" bolt attach the two L brackets to the U bracket. Do not fully tighten bolts. Using two 5/8" bolts and one nut plate attach the U bracket to the weapon rack and tighten completely. Repeat for the lower mounting assembly.
3. Using a 9/32" drill bit, drill thru the partition. Use the four 5/8" screws to connect the L brackets assemblies to the partition.
4. Adjust the rack to desired separation distance from partition. Tighten the two 2-1/4" bolts on the upper and lower mounting bracket assemblies.
5. Attach and insulate the red/black wires (supplied) to the corresponding red/black wires on the lockhead. Insure that the wires are not pinched as they are routed behind the channel toward the most convenient power and grounding source.
6. Large lockheads can be custom fit for weapons. Simply raise or lower the adjustment plate by loosening or tightening the screw.



Top View
Upper and Lower Adjustable
Mounting Bracket Assemblies