

# TUFLOC

## INSTALLATION INSTRUCTIONS

2020 Ford Interceptor SUV TufBox Base



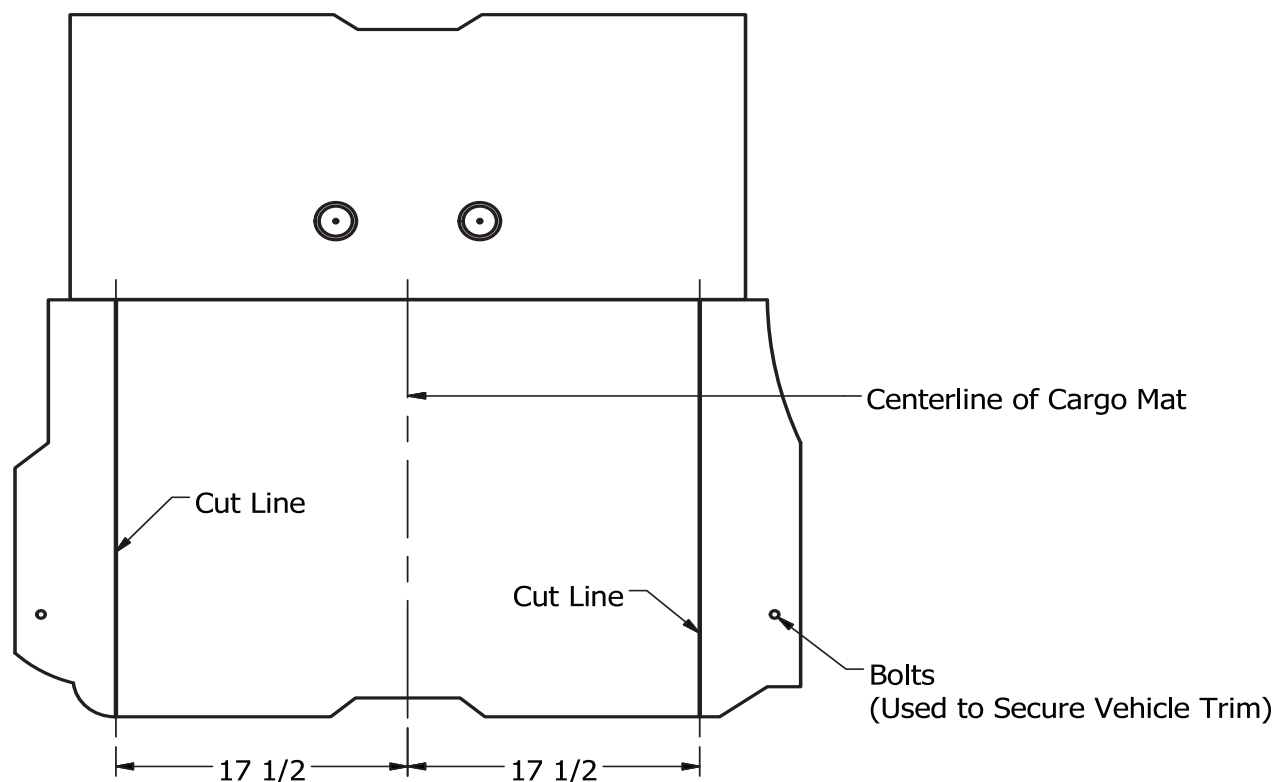
---

### Warranty

Thank you for purchasing the TufBox Base manufactured by TUFLOC. We have worked hard to develop the best storage box on the market and warrant this product for one year from date of purchase against defects in materials and workmanship. This warranty is limited to replacement or repair of the product only. No other warranties are expressed or implied. Please contact the factory for warranty claims before returning any product.

## Prior to Installation

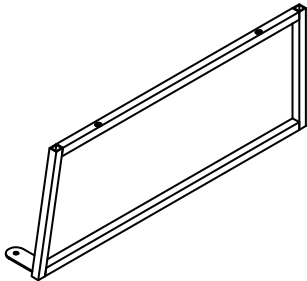
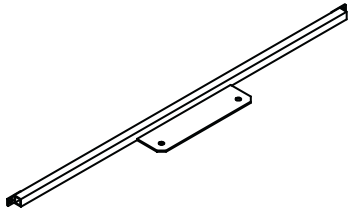


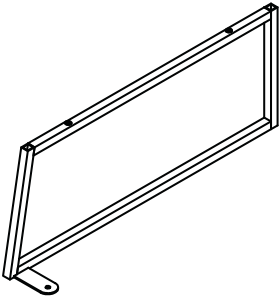
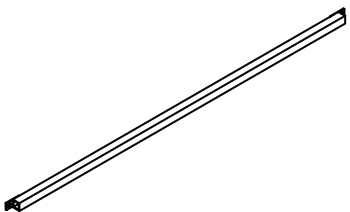
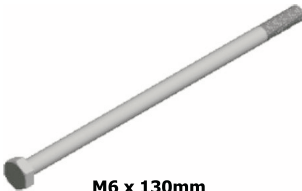



- This base is designed for the 2020 Ford Utility and the following instructions are for installation in this vehicle only.
- The base is designed to be used with the 28" deep TufBox (Part Number 36-011). If the 32" deep TufBox (Part Number 36-010) storage unit is mounted on this Base, it will be necessary to drill holes into the bottom of the TufBox so it can be mounted to the receiving nuts on the Base.
- It may be necessary to remove contents that are stored in or around the mounting footprint of the Base as these components may not be accessible after the TufBox Base is installed.
- The spare tire must remain in its original location in the Ford Interceptor Utility Vehicle. To access the spare tire, the cargo mat will need to be cut. Remove the cargo mat from the vehicle and locate the centerline (from left to right). Cut entirely through the cargo mat at 17-1/2" from the centerline on the right and left side of the cargo mat.
- Locate the two bolts used to secure the vehicle trim. Remove these bolts. The bolt holes will be used later to secure the TufBox Base.
- Place each piece of the cut cargo mat in its original location. (See diagram below).



**Rear Of Vehicle**

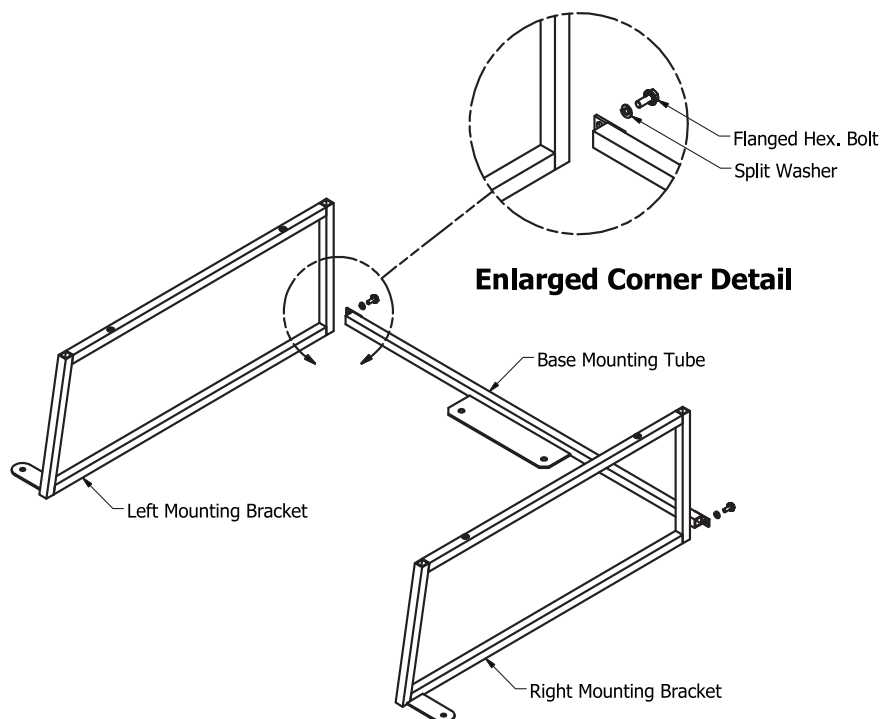
## Base Kit Components

### Hardware (Supplied)

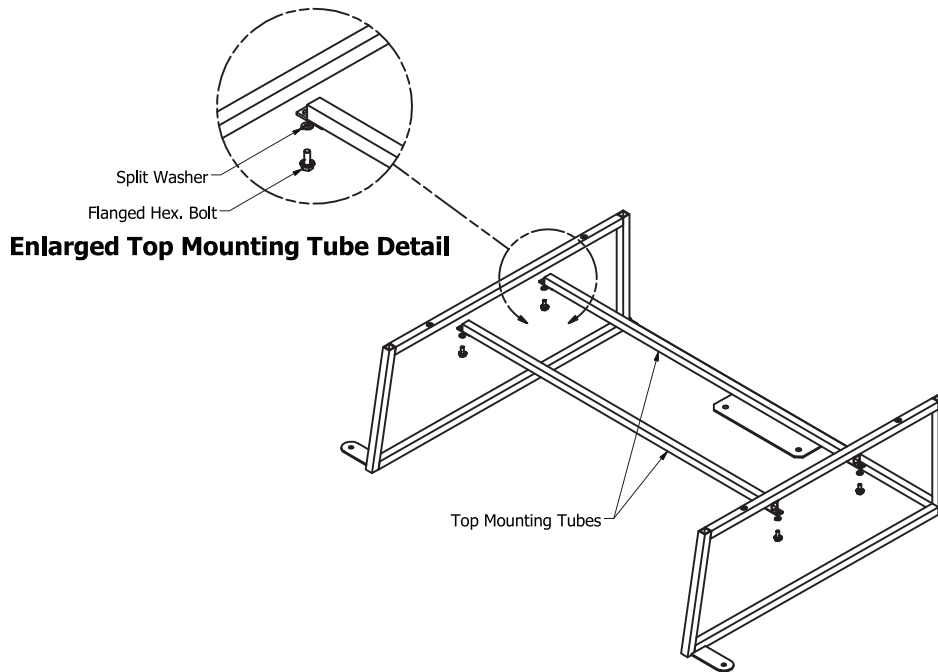
 <p><b>Left Mounting Bracket (Qty 1)</b></p>	 <p><b>Base Mounting Tube (Qty 1)</b></p>	 <p><b>3/8 x 2 1/2 Truss Head Bolt (Qty 2)</b></p>	 <p><b>3/8 x 1 1/4 Fender Washer (Qty 2)</b></p>
 <p><b>Right Mounting Bracket (Qty 1)</b></p>	 <p><b>Top Mounting Tube (Qty 2)</b></p>	 <p><b>M6 x 130mm Hex. Bolt (Qty 2)</b></p>	 <p><b>M6 x 12mm Washer (Qty 2)</b></p>
		 <p><b>1/4 x 5/8 Flanged Hex. Bolt (Qty 6)</b></p>	 <p><b>Split Washer (Qty 6)</b></p>

## Installation

- Using the Flanged Hex Bolts and Split Washers, attach the Base Mounting Tube to the Left and Right Mounting Bracket.



- Using the Flanged Hex Bolts and Split Washers, attach the Top Mounting Tubes to the BOTTOM of the Side Mounting Brackets.



- Remove the factory bolts located in the middle, uncut piece of the cargo mat. Using the newly exposed holes, HAND-TIGHTEN the Base Mounting Tube to the vehicle's floor with the 3/8" Truss Head Bolts and Fender Washers.
- Using a 5/16" drill bit and the holes in the Side Mounting Brackets as a template, drill through the cargo mat. Align the Side Mounting Bracket, cargo mat and vehicle trim holes and secure the TufBox Base with the M6 Hex Bolts and Washers.
- Fully tighten all fasteners in the Side Brackets and Base Mounting Tube.
- The TufBox can now be mounted to the Base.

