

TUFLOC

INSTALLATION INSTRUCTIONS

X-Rack: Residential Locking Gun Rack

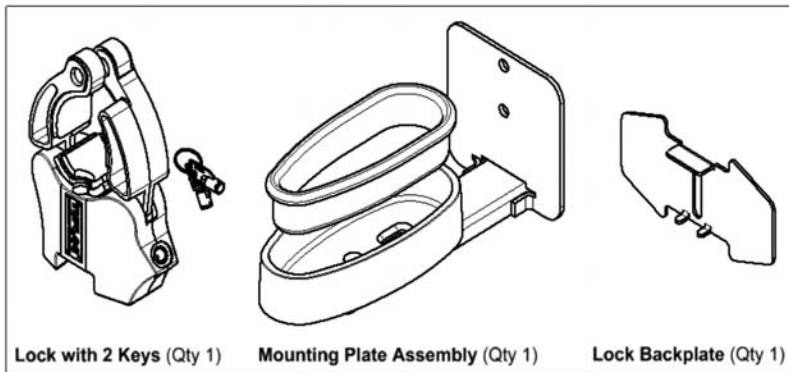


Warranty

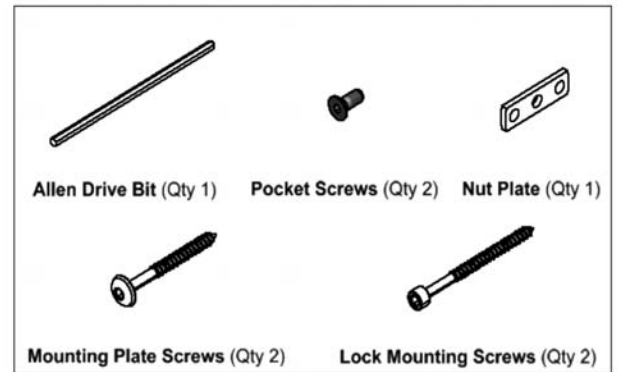
Congratulations and thank you for your recent purchase of the TUFLOC Locking Gun Rack. Esmet has designed and manufactured the highest quality products for over sixty-five years and we are confident that you will be a satisfied TUFLOC product owner.

This manual includes simple step by step instructions to install, operate, and maintain your Locking Gun Rack. Please contact the factory if you have any installation or operation questions.

Components



Allen Drive Bit & Fasteners



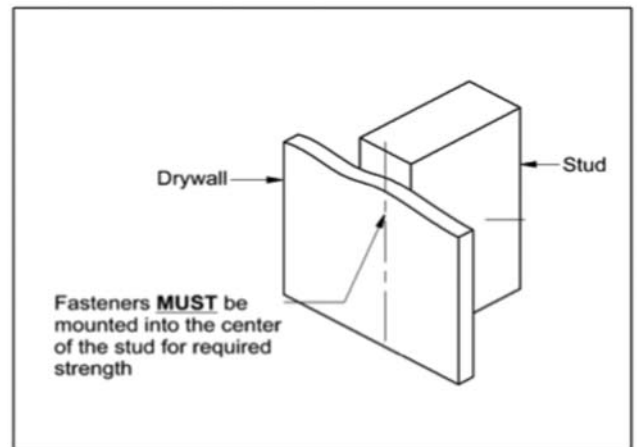
Required Tools: Drill, Stud Finder, Hammer, Level and Pencil

Standard Set-Up

- These instructions are for vertical mounting only.
- **DO NOT** mount gun in a hanging position.
- Fasteners are not included for concrete or brick wall applications.
- If Fingerprint Reader is being installed, install the Gun Rack **FIRST** and then move on to the Fingerprint Reader Installation Instructions.

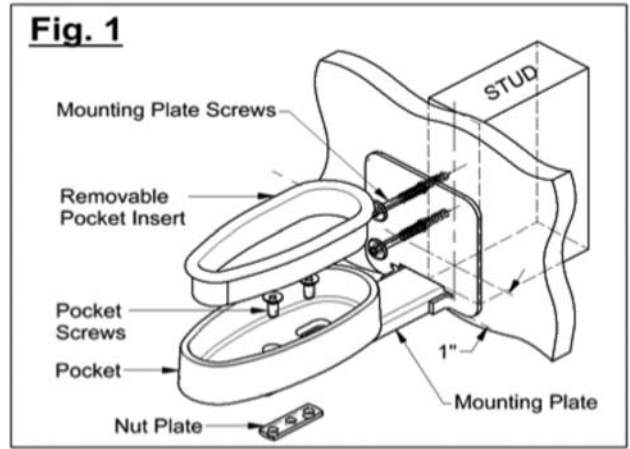
Step 1: Mounting Location for Vertical Wall Studs

- Hold gun against wall to determine desired location of gun rack.
- Use stud finder to locate the stud nearest this location. Use the level and mark a vertical line down the center of the stud.
- Place gun along vertical line to determine desired horizontal height of gun. Make a horizontal mark that crosses the previously marked vertical line at the bottom of gun buttstock.



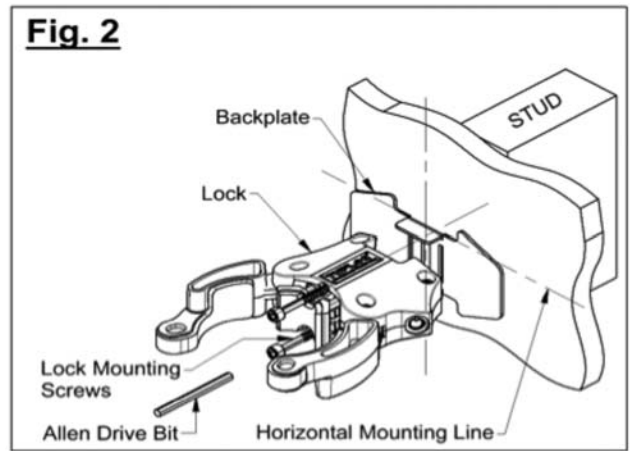
Step 2: Install Mounting Plate and Pocket Assembly (Fig. 1)

- Assemble Pocket onto Mounting Plate using Pocket Screws and Nut Plate. (Do not fully tighten.) Place the Removable Pocket Insert into the Pocket.
- Place Mounting Plate 1" below previously marked horizontal line and center it on vertical line. Use the Mounting Plate Screws and the Allen Drive Bit to secure the Mounting Plate into the stud. There is no need to pre-drill holes.



Step 3: Install Lock Assembly (Fig. 2)

- Rest gun in the Pocket Insert and place the Lock and Backplate around the gun in a location that will not allow the gun to be lifted out of the Pocket.
- Mark a horizontal line on the wall at the top of the Backplate and remove gun from Lock.
- If Fingerprint Reader is being installed, let wires hang out from the bottom of the Lock. If Fingerprint Reader is NOT being installed, tuck wires under Lock, between Lock and Backplate.
- Place the Lock Mounting Screws through the two recessed holes in the Lock and Backplate. Make sure screws do not damage wires behind the Lock. Secure the Lock and Backplate at the marked location. There is no need to pre-drill holes.
- Place gun back into Pocket Insert and Lock. Adjust Pocket in and out until gun is parallel to the wall.
- Remove gun and Pocket Insert and tighten pocket screws completely.



Key Info: (Fig. 3)

- For lost or additional keys, please contact us.
- When ordering, please specify four-digit Key Code.

Additional Info

- Read Tufloc Safety Precautions BEFORE use.
- Place Lock release sticker in a visible location.
- Never use WD-40 or a 3 in 1 oil to lubricate the cylinder. If cylinder needs lubrication, use a dry film lubrication.

