

TUFLOC

INSTALLATION INSTRUCTIONS

Dual Vertical Mount Gun Rack



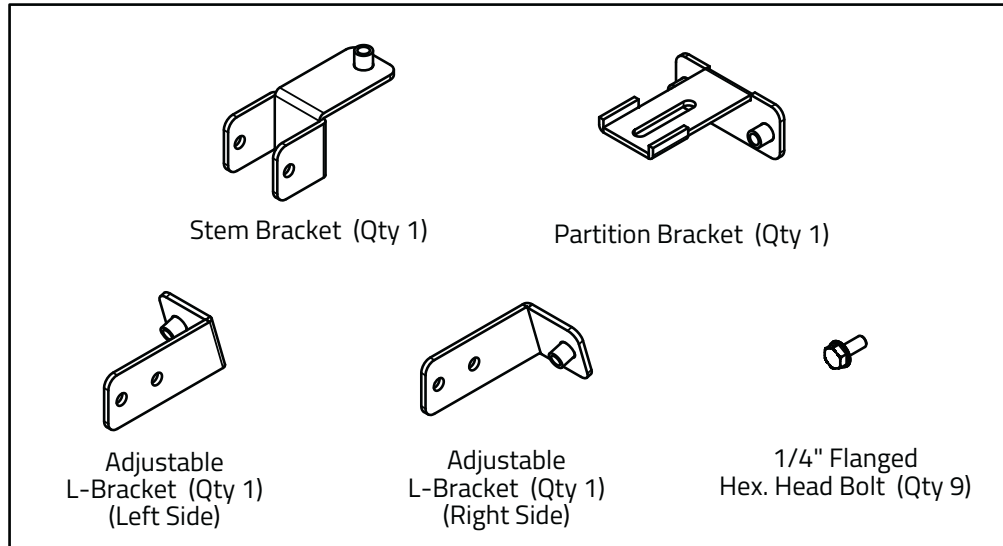
Congratulations and thank you for your recent purchase of the **TUFLOC** gun rack system. Esmet has designed and manufactured the highest quality products for over sixty-five years and we are confident that you will be a satisfied Tufloc product owner.

This manual includes simple step-by-step instructions to install, operate and maintain your gun rack. Please contact the factory if you have any installation or operation questions.

Dual Vertical Mount

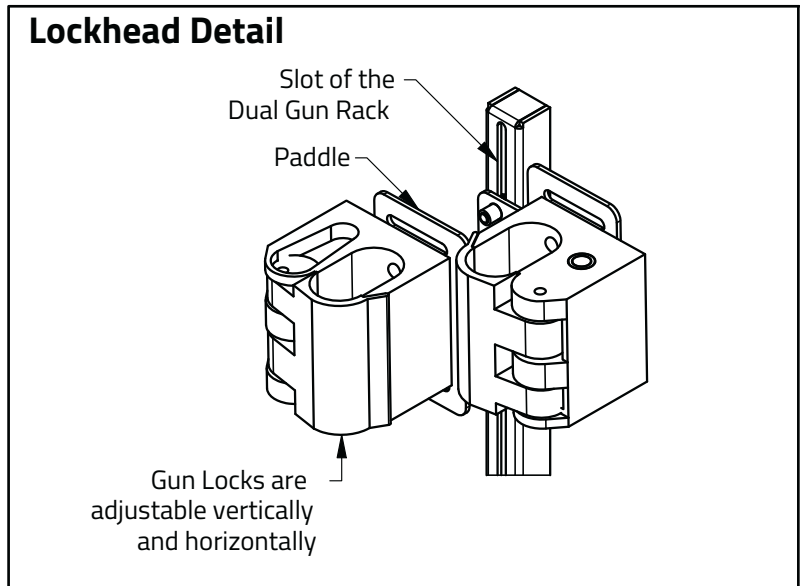
Tufloc Dual Gun Racks are custom designed to secure specific gun models. Dual Gun Racks are shipped with the components already attached. All Gun Rack components are necessary to properly secure the guns. Do not remove components. The Dual Gun Rack shown on the front page is for a Remington 870 on the Driver Side and an AR-15 on the Passenger Side. It is for illustration purposes and may not be identical to the gun rack you received.

Hardware Kit



Ensure a Proper Fit

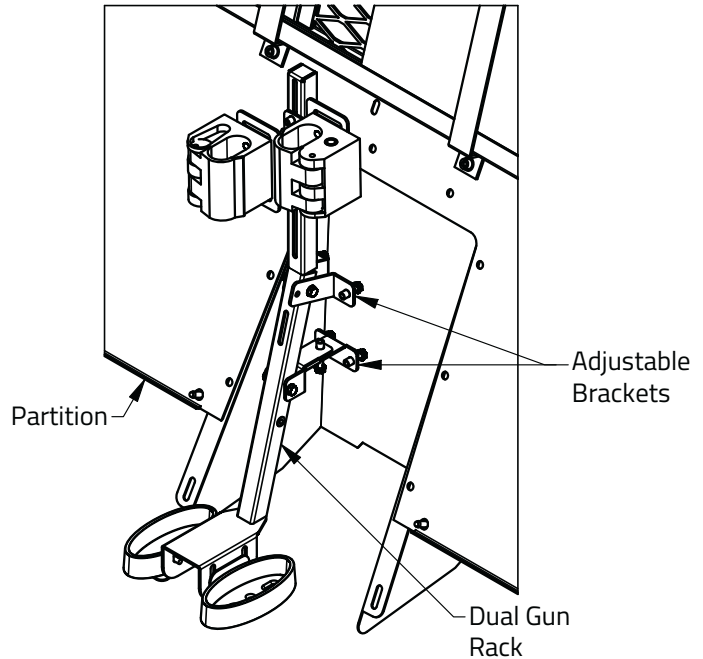
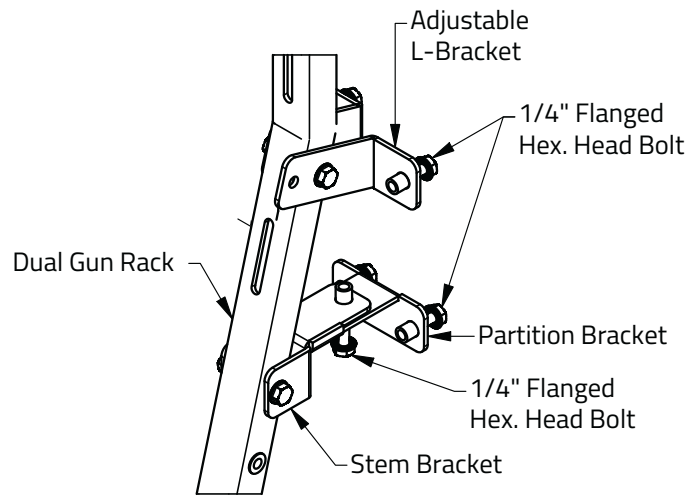
1. If your Dual Gun Rack uses a Large Gun Lock, it can be custom fit. Simply raise or lower the adjustment plate inside the Gun Lock by loosening or tightening the screw inside the lid of the lock.
2. To reposition the Gun Lock, use a 3/16" Allen-Head wrench to loosen the Screws that secure the Gun Lock to the Paddle. (Do not fully remove the Screws). Slide the Paddle along the slot of the Dual Gun Rack to a position where it will securely hold the gun. The proper position of the Gun Lock will keep the gun from being lifted out of the Butt Pocket.
3. Once all the adjustments are made, tighten the fasteners and verify that the gun fits securely by locking it in the Dual Gun Rack. Repeat for the other side.



Determine Gun Rack Location

1. Attach the Adjustable "L" Brackets, Stem Bracket and Partition Bracket to the Dual Gun Rack as shown in the Detail at right. Do not fully tighten these fasteners.
2. Now that the Dual Gun Rack has been adjusted to properly secure the guns and the mounting brackets have been attached to the Dual Gun Rack, place the Dual Gun Rack with guns between the seats and determine the best location to mount the Dual Gun Rack.
3. Use the Adjustable "L" Brackets and Partition Bracket as a template and mark locations where the brackets will be mounted. (See Detail at Right)
4. Remove the Dual Gun Rack with guns from the vehicle. At the marked locations on the partition drill 9/32" holes through the partition. Once all the holes have been drilled, place the Dual Gun Rack back into the vehicle and attach the Dual Gun Rack to the partition using the supplied 1/4" Flanged Hex. Head Bolts. (**Note: You may need an assistant to help with this operation**)
5. Once the brackets have been attached, check to ensure all fasteners have been tightened.

Mounting Bracket Detail



Electrical

- Attach and insulate the wires following the enclosed wiring diagram. Ensure that the wires are not pinched as they are routed towards the most convenient power and grounding source.